



Classic

collection

by

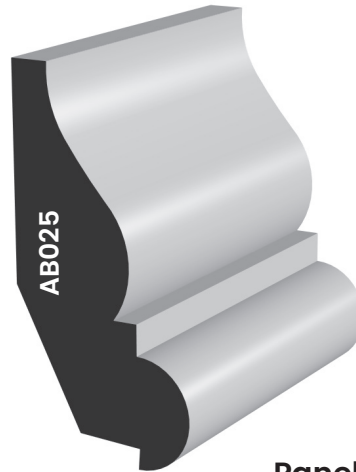


**MILLWORK DESIGN
BY OXFORD**

Inspired by the grace and refinement of traditional craftsmanship, our Classic Collection exudes an air of understated elegance. These timeless profiles with delicate curves hark back to an era of grandeur and sophistication, while modern influences infuse the collection with versatility and adaptability.



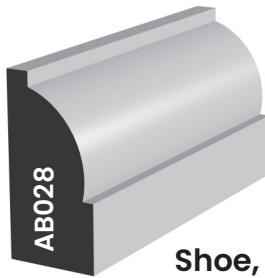
Panel or Cap
1-1/16" x 2-7/8"
Rabet Dimension: 5/8"



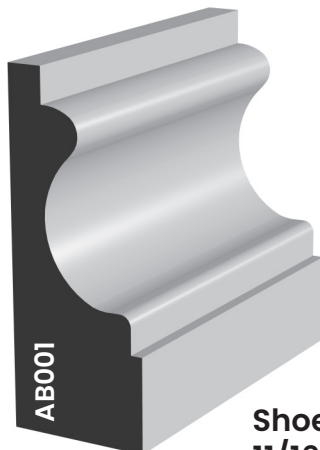
Panel or Cap
11/16" x 2-1/16"
Rabet Dimension: 3/4"



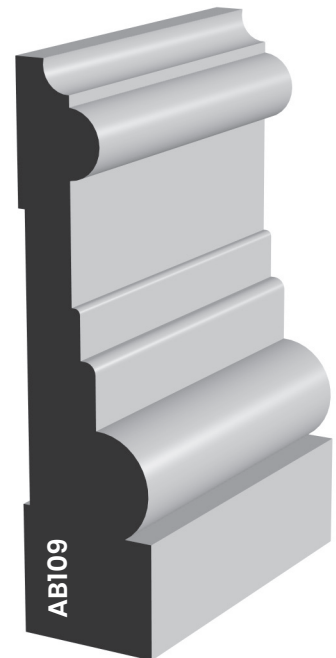
Shoe, Panel or Cap
5/8" x 1"



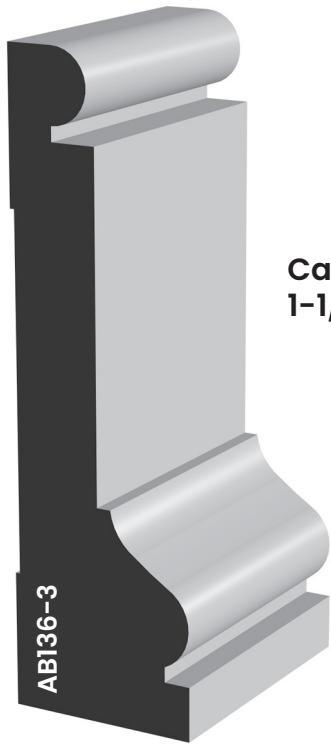
Shoe, Panel or Cap
1/2" x 1"



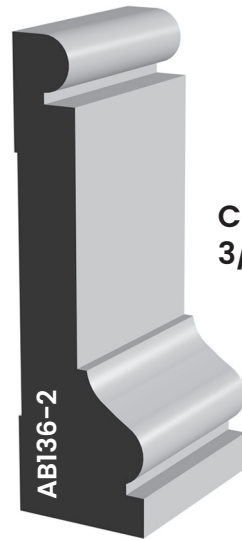
Shoe, Panel or Cap
11/16" x 1-7/8"



Casing
11/16" x 3"



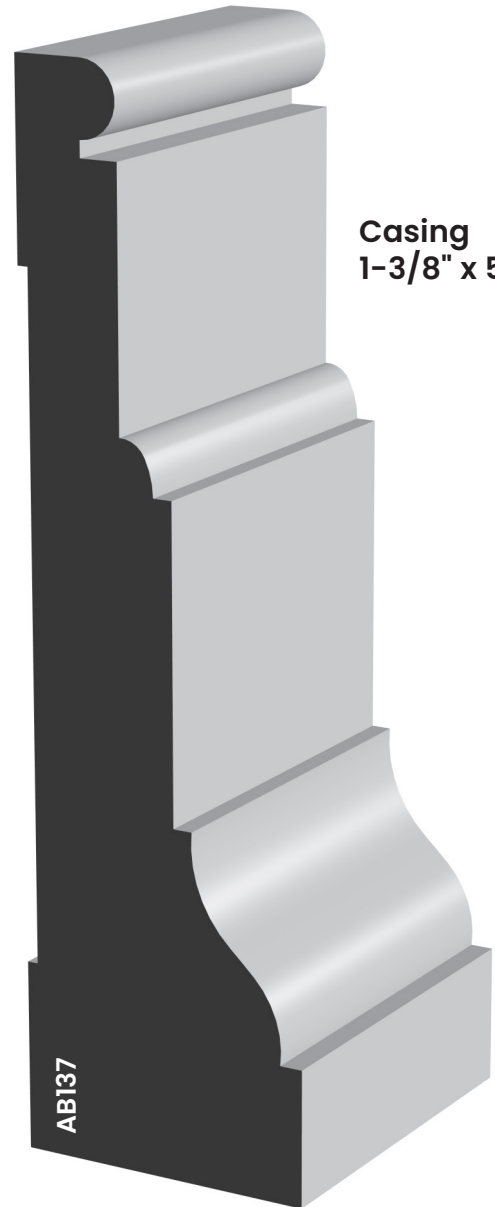
Casing
1-1/16" x 3-1/2"



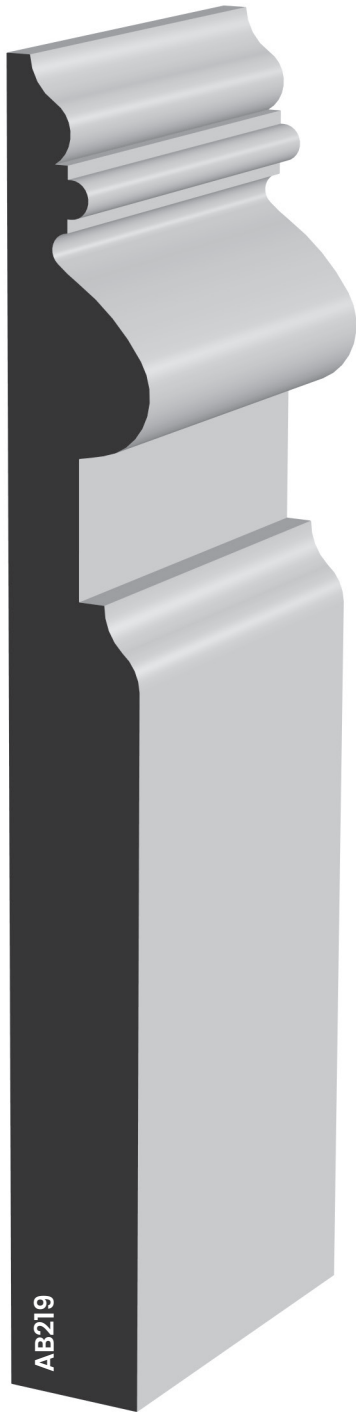
Casing
3/4" x 2-1/2"



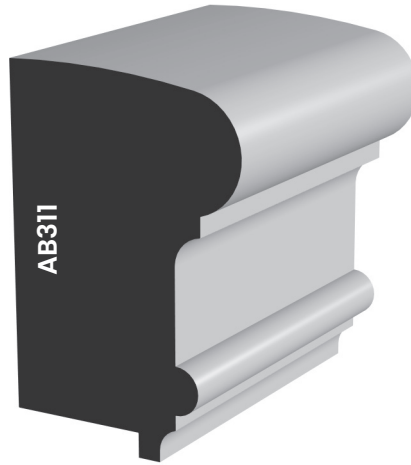
Casing
1-3/16" x 4-1/2"



Casing
1-3/8" x 5-1/2"

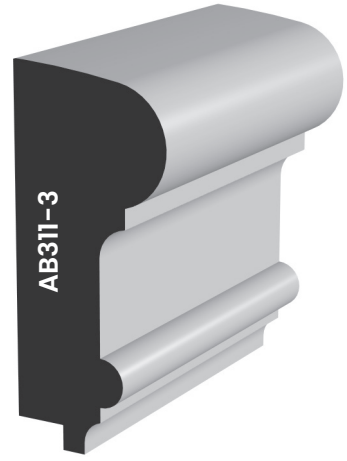


Baseboard
11/16" x 7"



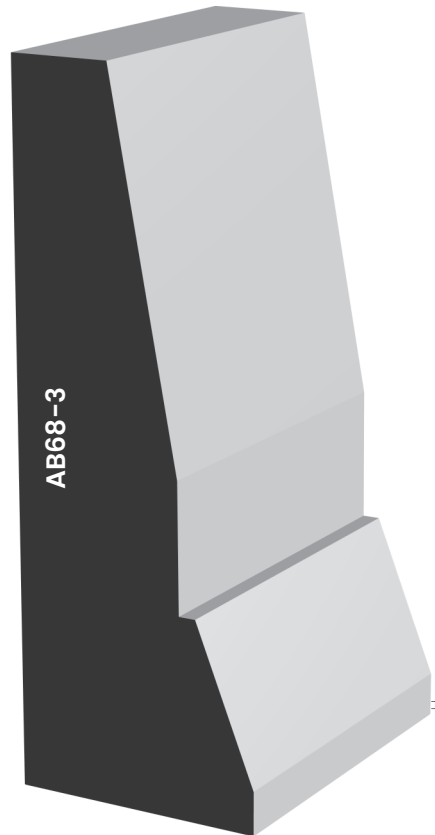
Chair Rail
1-5/16" x 2"

Rabbet Dimension: 3/4"

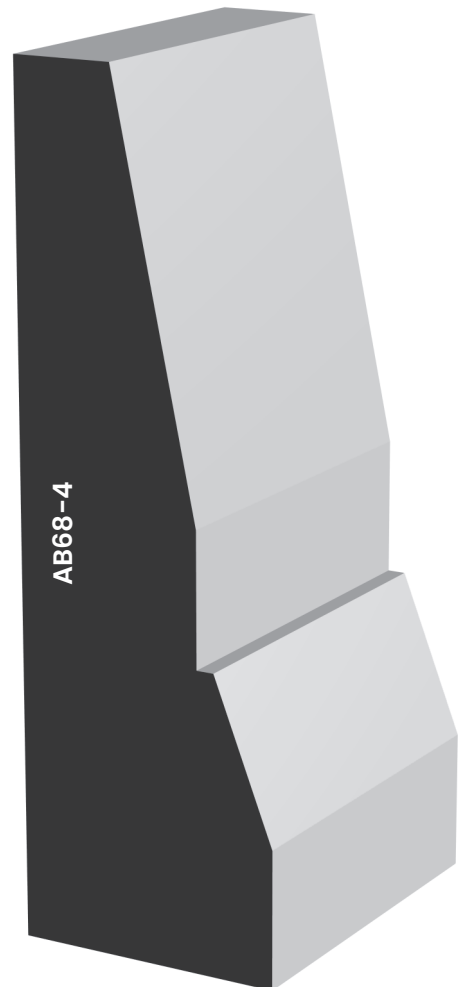


Chair Rail
13/16" x 2"

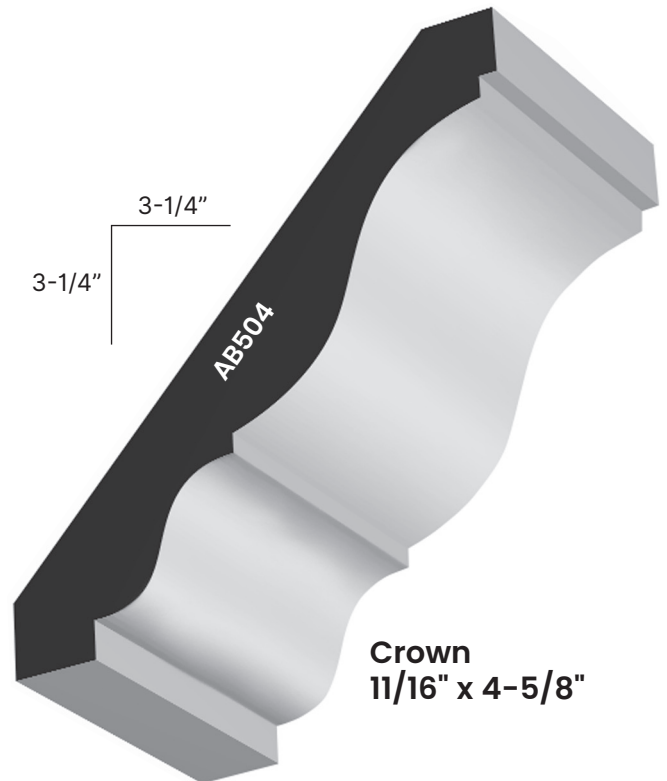
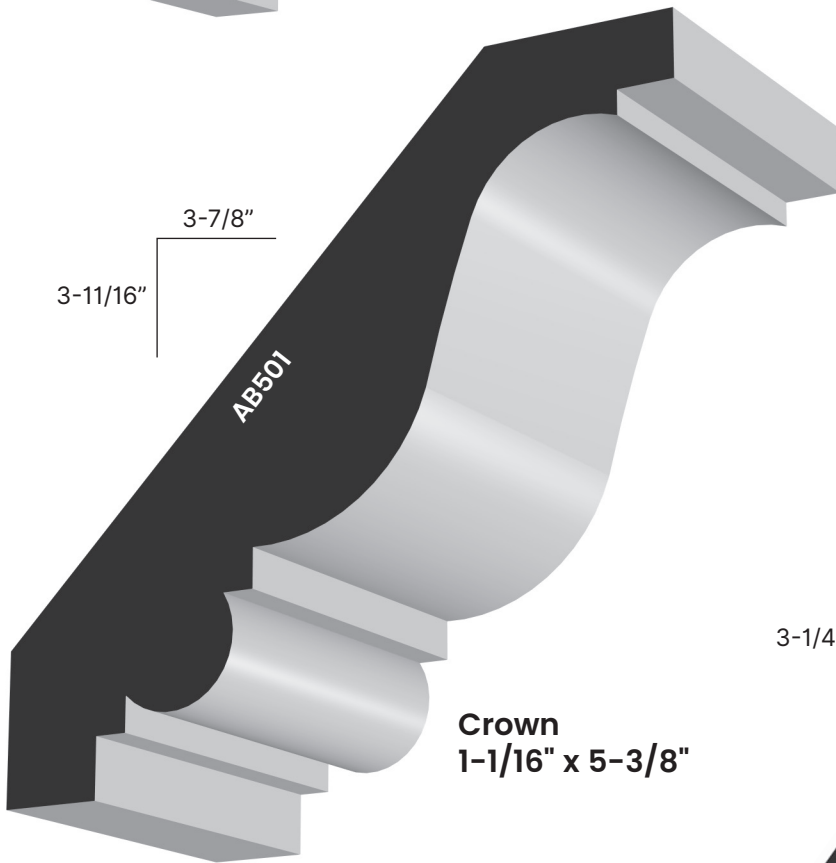
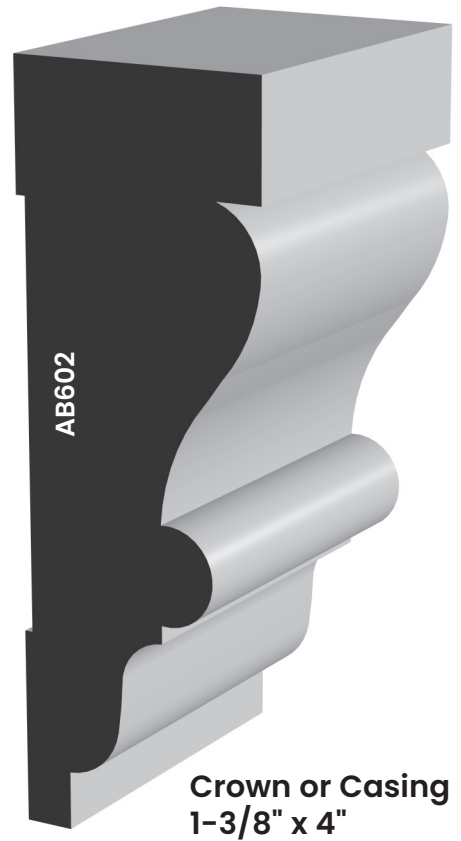
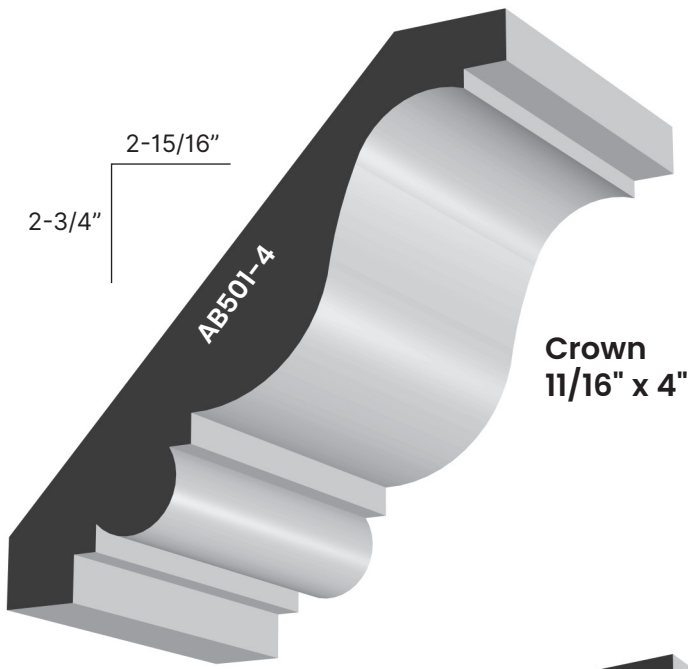
Rabbet Dimension: 1/4"



Plinth
1-3/8" x 3-7/8"



Plinth
1-3/8" x 4-3/4"





**MILLWORK
DESIGN**

BY OXFORD

Sharper Lines, Crisper Edges, Superior Designs

For over 25 years, Millwork Design by Oxford (MDO), formerly A&B Wood Design, has provided a line of architectural moldings that offer a more custom approach to the traditional “commodity” profiles available. From our warehouse located centrally in Oxford, CT we currently stock over 70 products available for delivery to your local lumber retail yard. MDO has been employee-owned since 2022.

800.669.9871

Fax 203.888.0493 | MDOxford.com