



Clean Lines

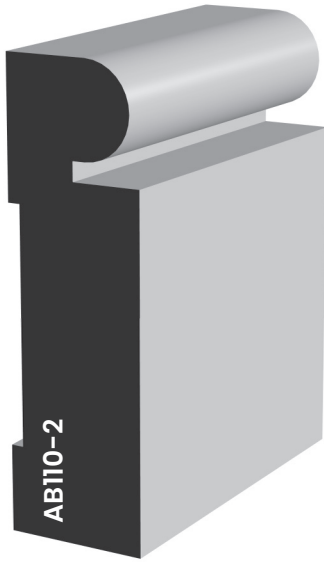
collection

by

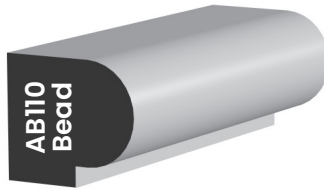


**MILLWORK DESIGN
BY OXFORD**

Emphasizing the principle of less is more, our Clean Lines Collection features sleek and uncluttered profiles that seamlessly blend into any architectural design. The clean lines of these mouldings create a sense of balance and harmony, allowing your decor and furnishings to take center stage while providing a subtle yet impactful visual frame.



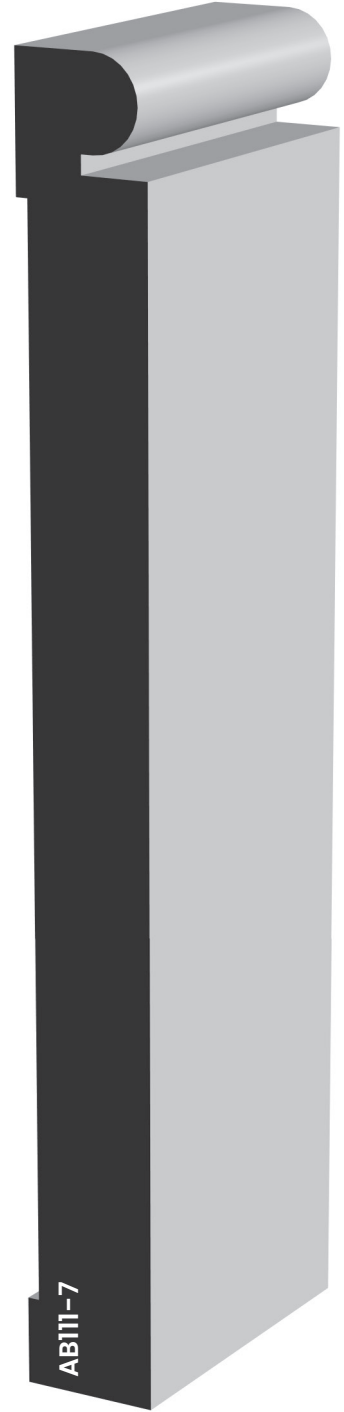
Casing
11/16" x 2-1/2"



Bead
5/8" x 5/8"



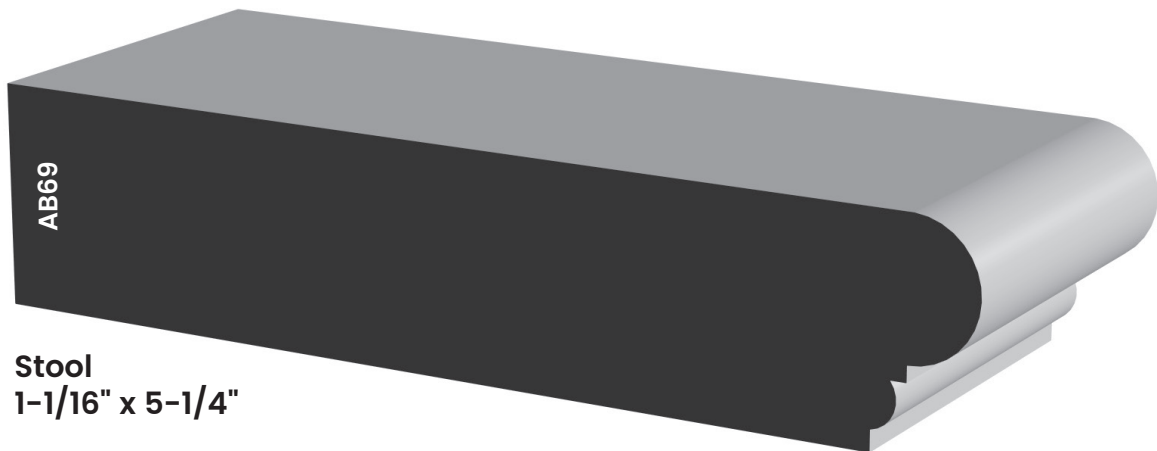
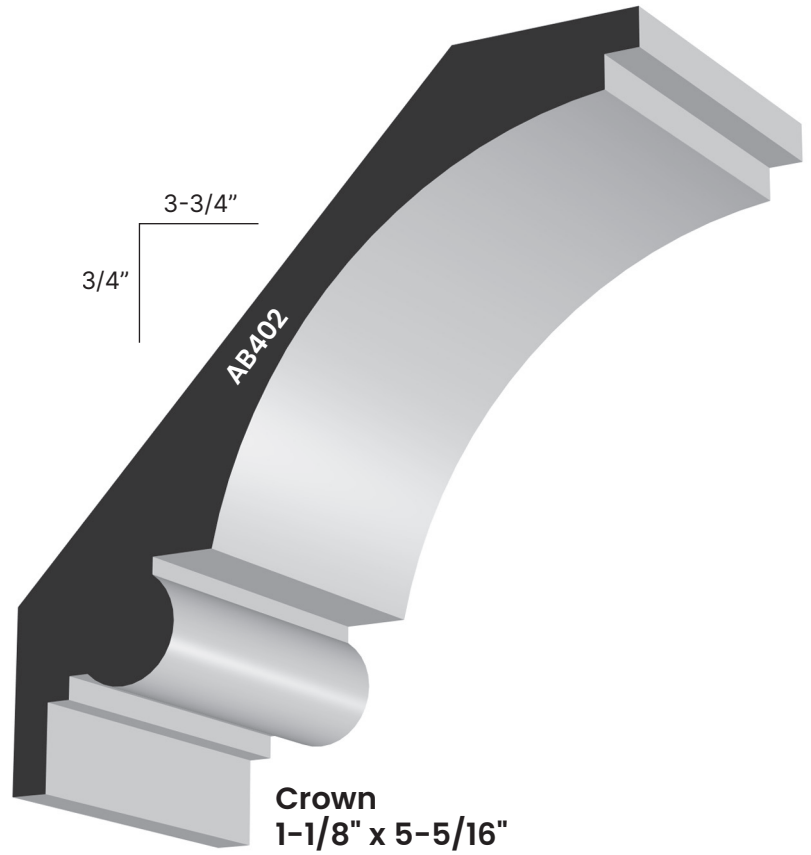
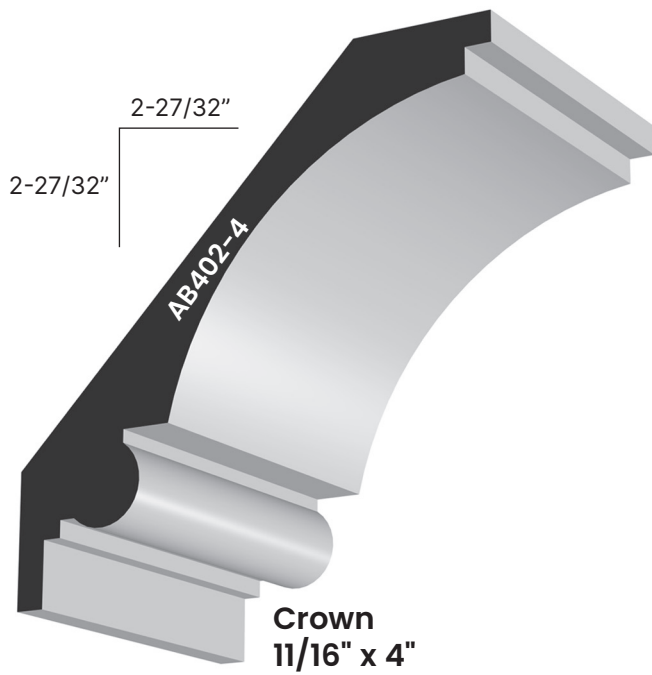
Baseboard
21/32" x 5-1/2"

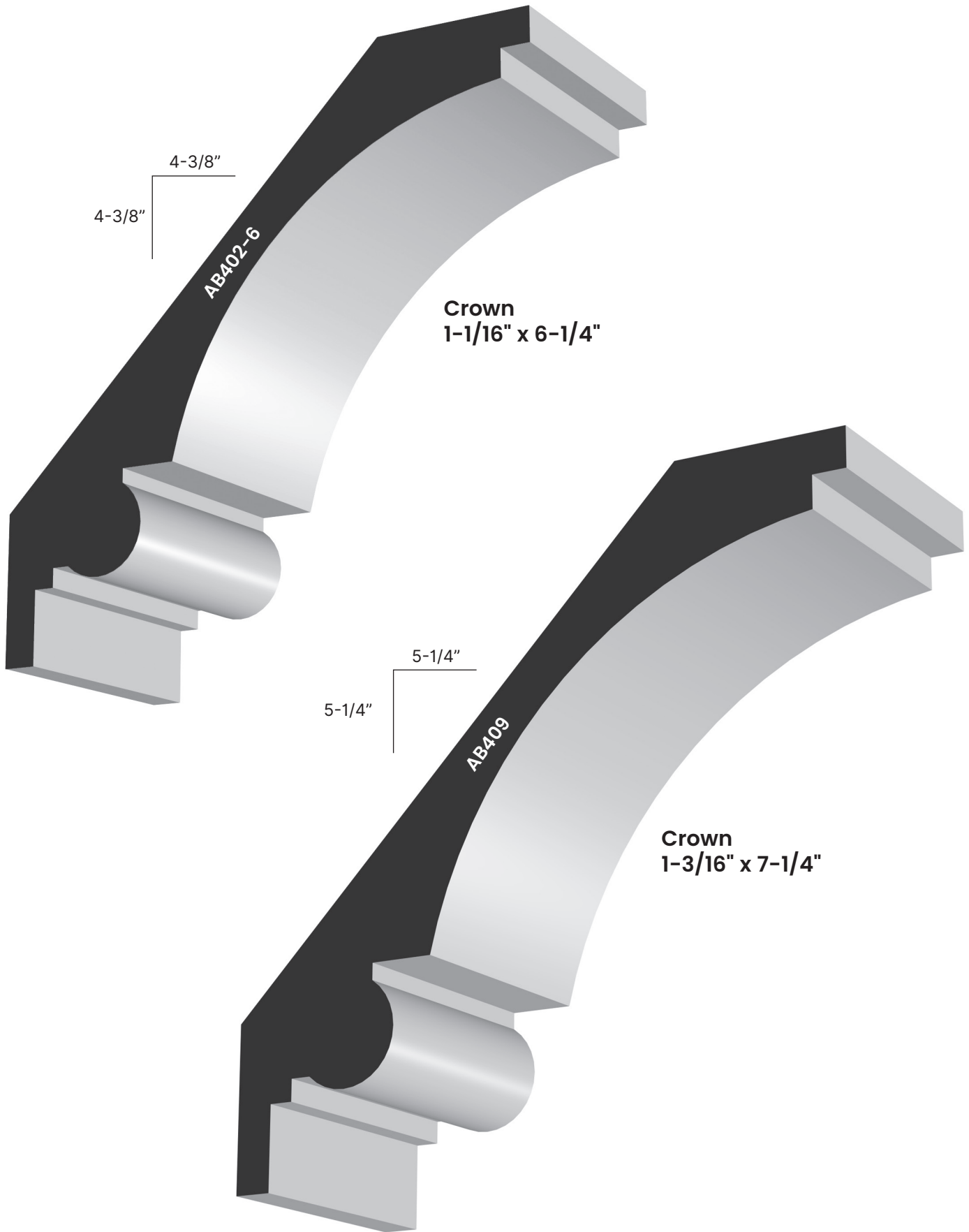


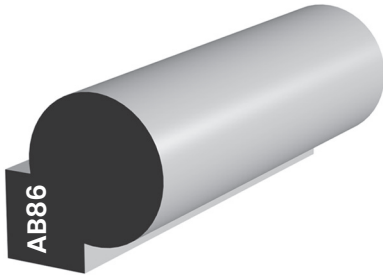
Baseboard
21/32" x 7"



Casing
21/32" x 3-1/2"



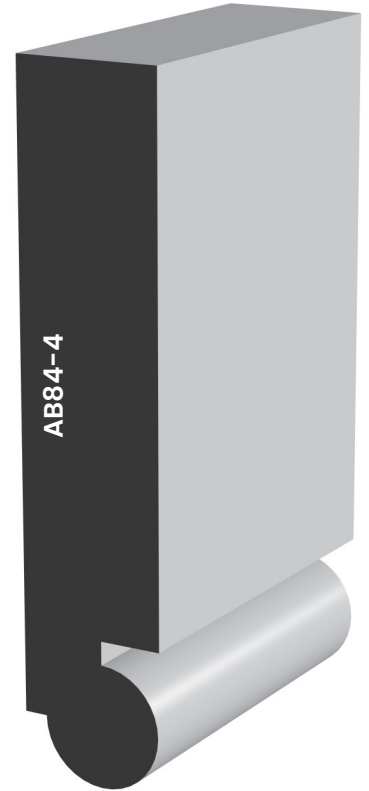




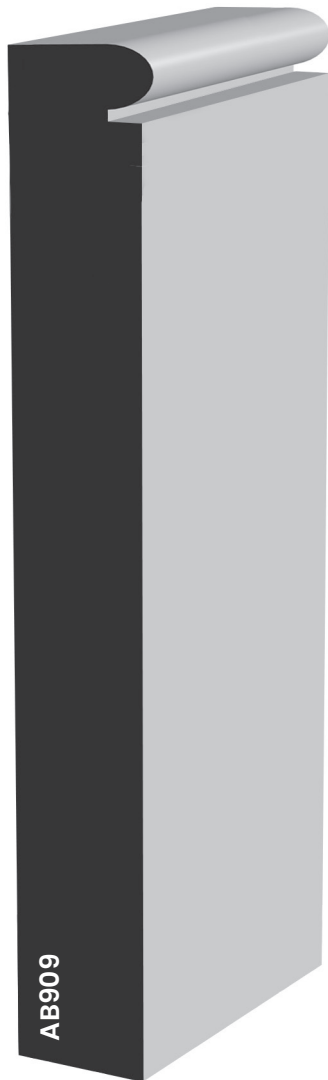
Bead
3/4" x 3/4"



Crown Extender
11/16" x 3"



Crown Extender
11/16" x 3-1/2"



Casing
3/4" x 5-1/4" x 18'



Casing
3/4" x 3-1/2" x 17'



**MILLWORK
DESIGN**

BY OXFORD

Sharper Lines, Crisper Edges, Superior Designs

For over 25 years, Millwork Design by Oxford (MDO), formerly A&B Wood Design, has provided a line of architectural moldings that offer a more custom approach to the traditional “commodity” profiles available. From our warehouse located centrally in Oxford, CT we currently stock over 70 products available for delivery to your local lumber retail yard. MDO has been employee-owned since 2022.

800.669.9871

Fax 203.888.0493 | MDOxford.com