



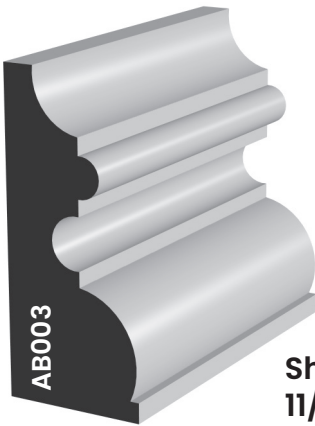
Coastal

collection

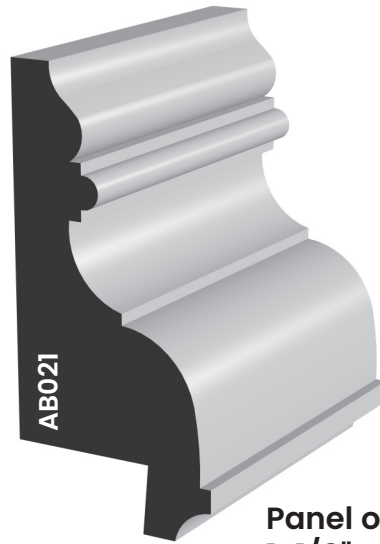
by

MDO MILLWORK DESIGN
BY OXFORD

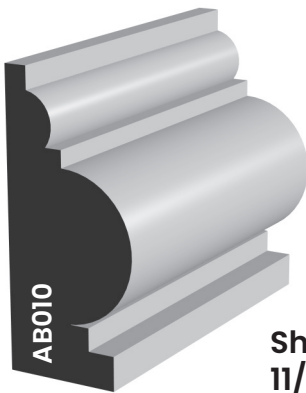
Embrace the mesmerizing, graceful movements of the ocean waves. Our Coastal Collection echoes the allure of rhythmic tides and soothing seaside breezes. These mouldings will transform any living space into a serene coastal retreat.



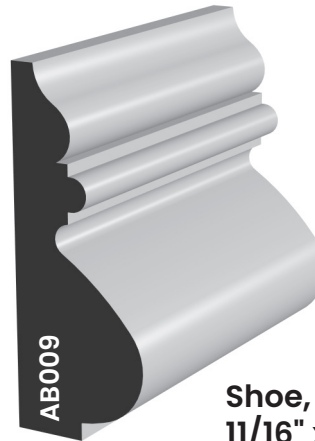
Shoe, Panel or Cap
11/16" x 1-3/4"



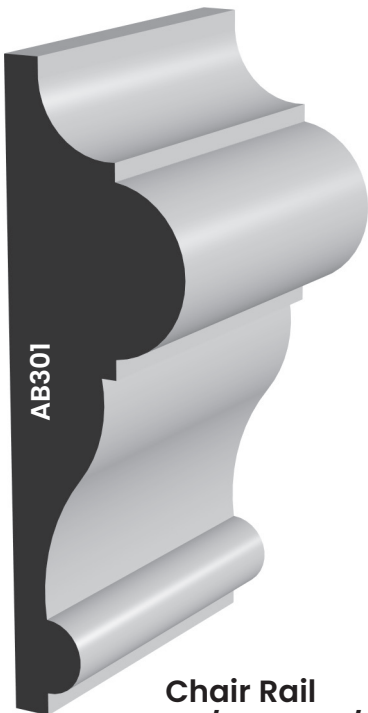
Panel or Cap
1-1/8" x 2-3/8"
Rabbet Dimension: 3/4"



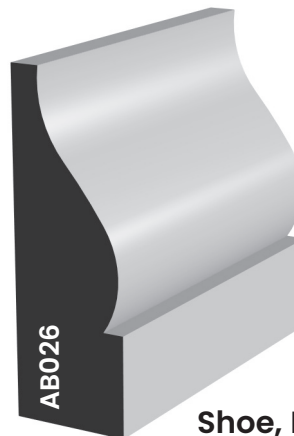
Shoe, Panel or Cap
11/16" x 1-5/8"



Shoe, Panel or Cap
11/16" x 1-7/8"



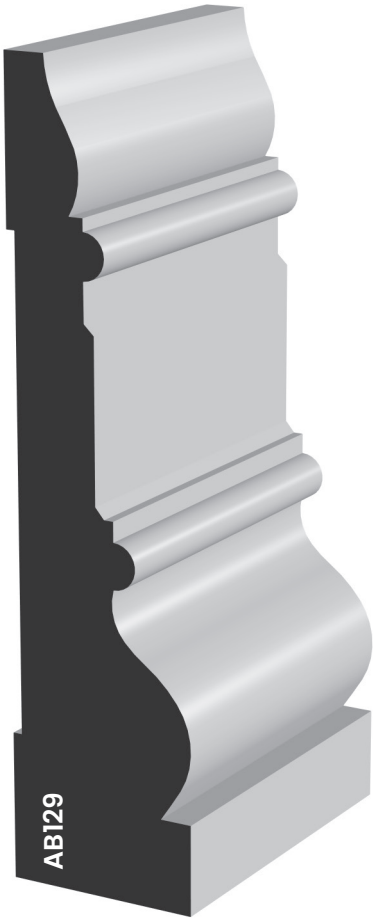
Chair Rail
1-1/32" x 3-1/2"



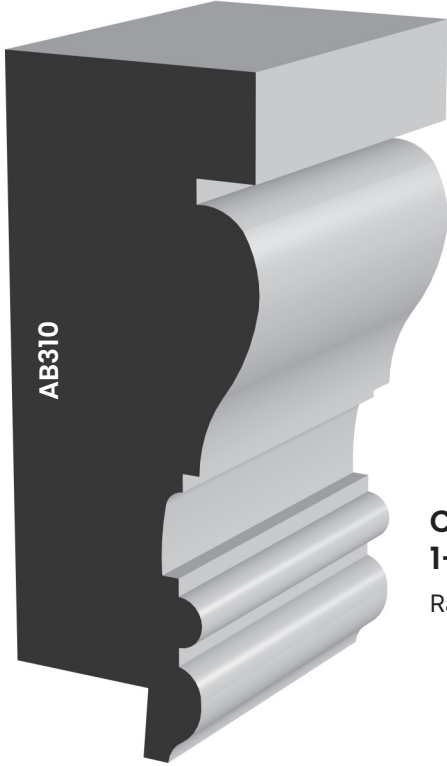
Shoe, Panel or Cap
5/8" x 1-13/16"



AB128
Casing
21/32" x 3-1/2"



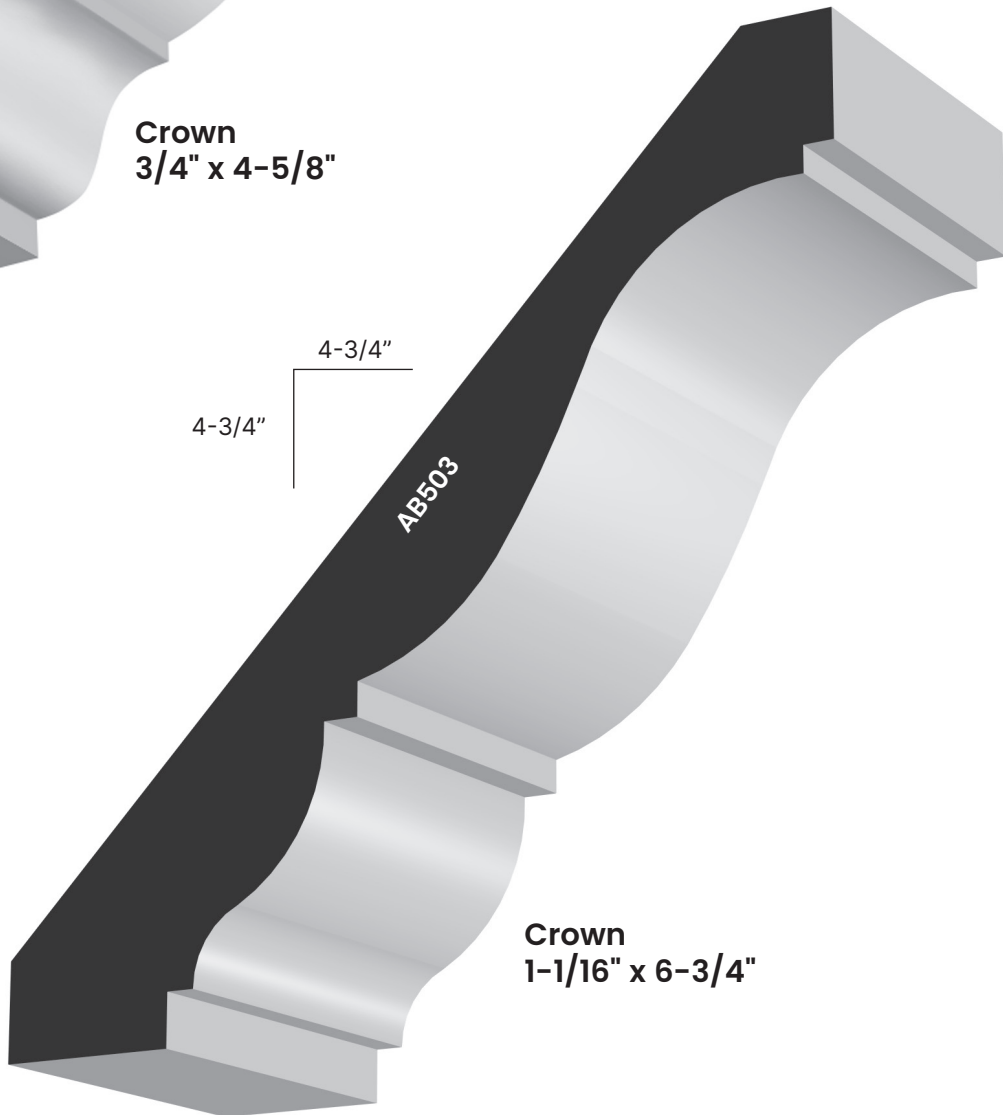
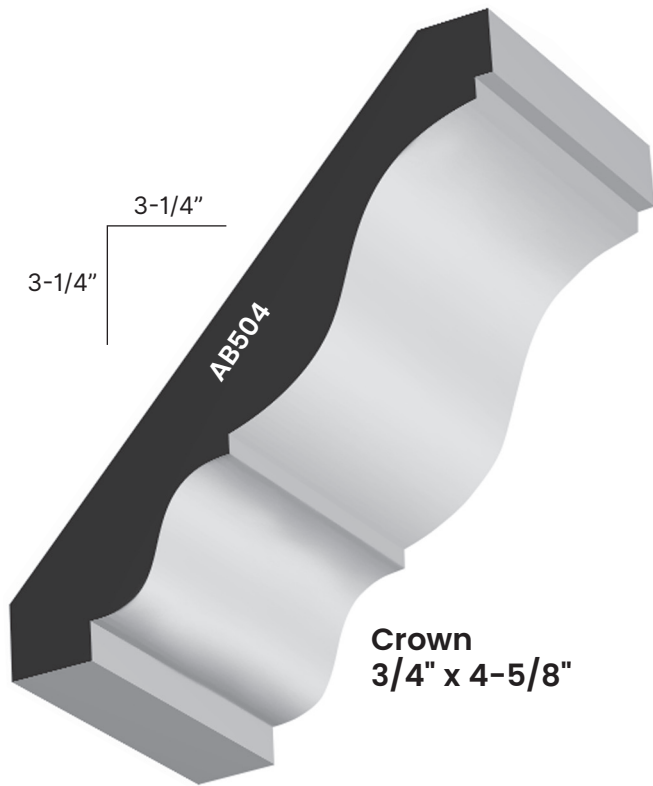
AB129
Casing
1-1/16" x 4-3/8"

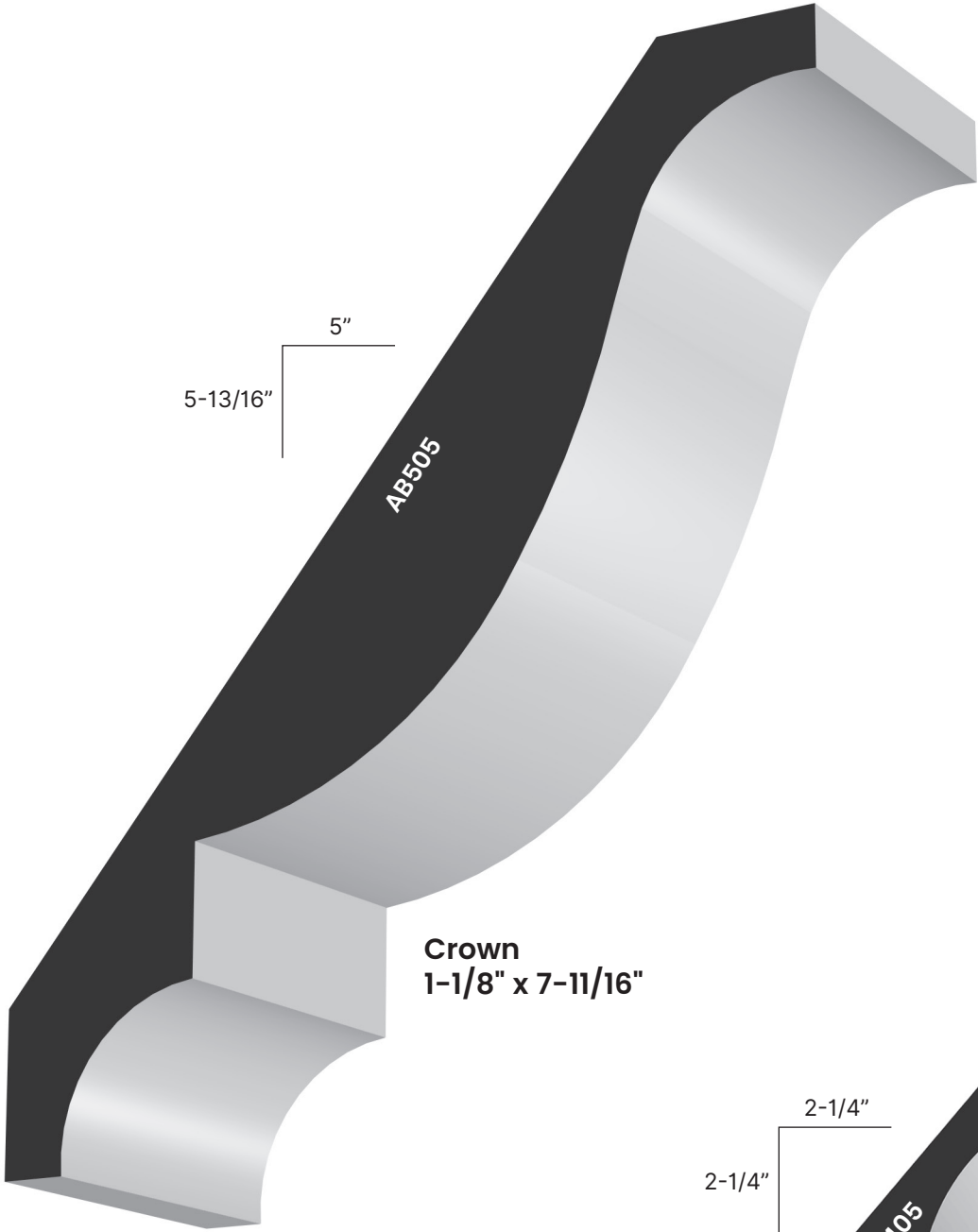


AB310
Chair Rail
1-3/8" x 3-1/2"
Rabbit Dimension: 3/4"

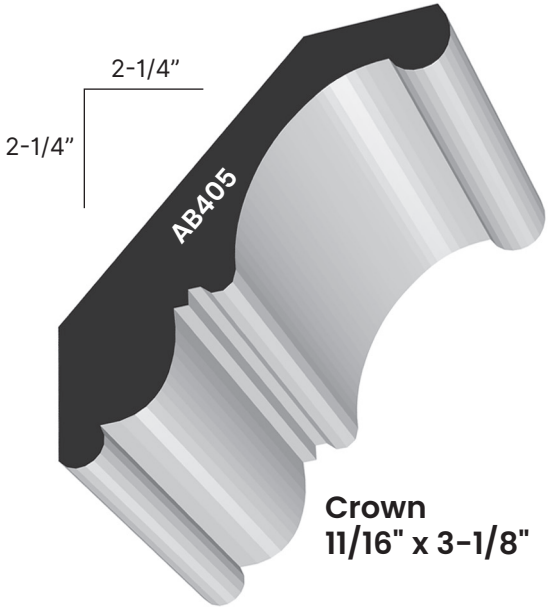


AB219
Baseboard
11/16" x 7"

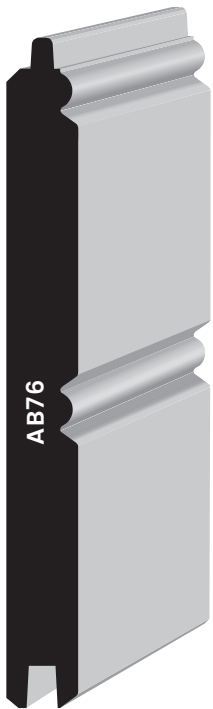




Crown
1-1/8" x 7-11/16"



Crown
11/16" x 3-1/8"



Wainscot
3/8" x 3-1/2"



Nickel Gap
3/4" x 5-1/2"



Nickel Gap
3/4" x 7-1/4"



**MILLWORK
DESIGN**

BY OXFORD

Sharper Lines, Crisper Edges, Superior Designs

For over 25 years, Millwork Design by Oxford (MDO), formerly A&B Wood Design, has provided a line of architectural moldings that offer a more custom approach to the traditional “commodity” profiles available. From our warehouse located centrally in Oxford, CT we currently stock over 70 products available for delivery to your local lumber retail yard. MDO has been employee-owned since 2022.

800.669.9871

Fax 203.888.0493 | MDOxford.com