



Contemporary

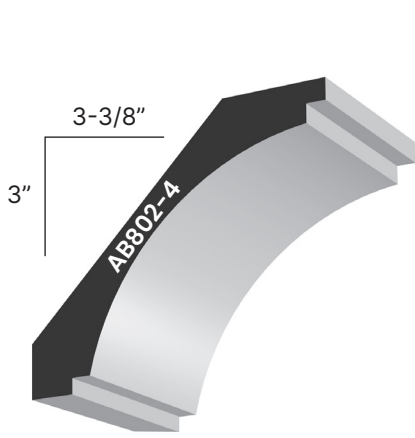
collection

by

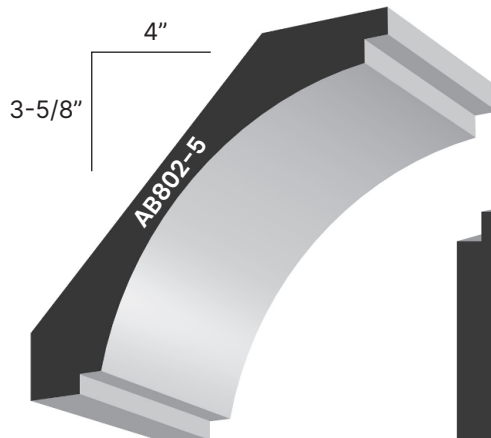


**MILLWORK DESIGN
BY OXFORD**

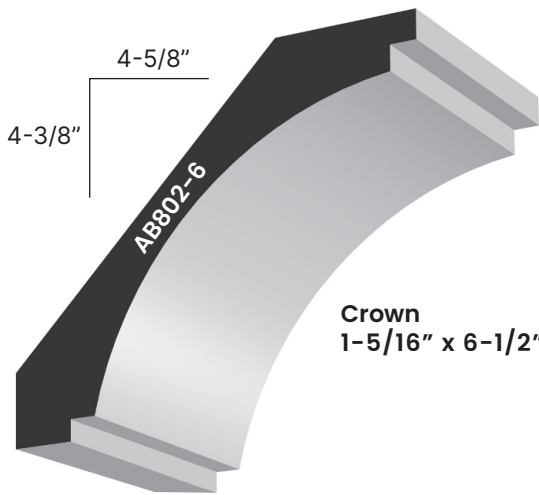
Crafted with precision and an eye for detail, each moulding in this Contemporary Collection embraces the warm and inviting character of the modern farmhouse, celebrating the rustic textures, natural materials, and comforting ambiance. At the same time, they draw from the unadorned elegance of the Craftsman style, creating a seamless blend of the two design philosophies. From shiplap-inspired baseboards to crown mouldings with subtle geometric patterns, this collection will effortlessly enhance your home's interior with a contemporary touch.



Crown
29/32" x 4-1/2"



Crown
1-1/8" x 5-1/2"



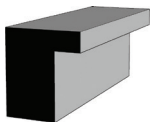
Crown
1-5/16" x 6-1/2"



Nickel Gap
3/4" x 5-1/2"
Exterior Gesso Primer



Nickel Gap
3/4" x 7-1/4"
Exterior Gesso Primer



AB808BB
Back Band
15/16" x 1"



AB8-CAP
Panel/Cap
11/16" x 3/4"



AB808
Casing
11/16" x 3-1/2"



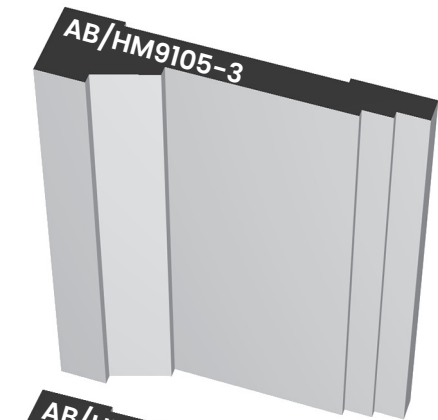
AB809
Casing
11/16" x 4-1/2"



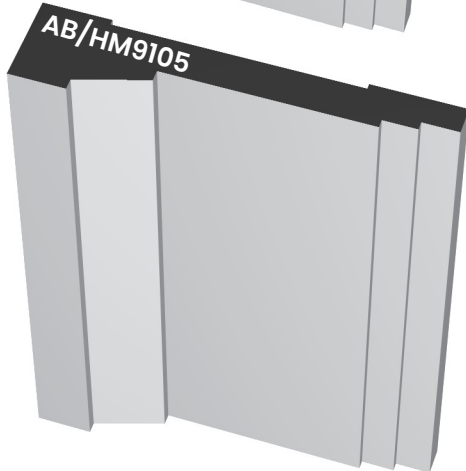
AB810
Base
11/16" x 5-1/2"



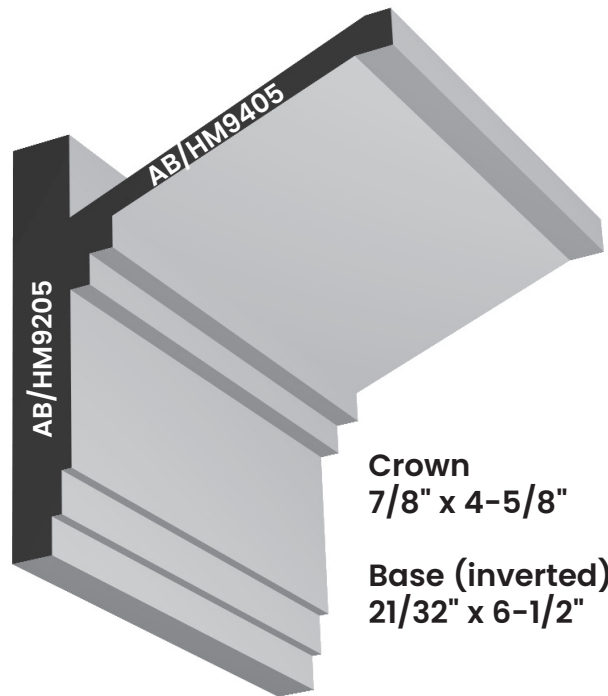
AB812
Base
11/16" x 7-1/4"



Casing
13/16" x 3-1/2"

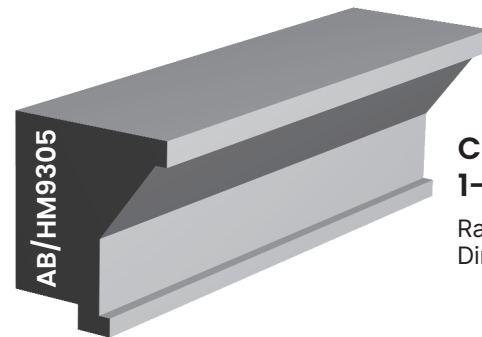


Casing
1" x 4-15/32"



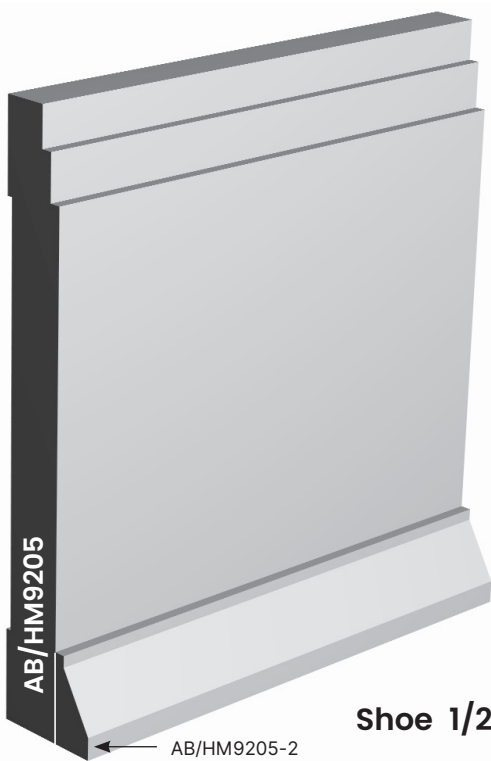
Crown
7/8" x 4-5/8"

Base (inverted)
21/32" x 6-1/2"



Chair Rail
1-3/4" x 2"

Rabbit
Dimension: 3/4"



Base
21/32" x 6-1/2"

Shoe 1/2" x 1"



Base
21/32" x 5"

Shoe 1/2" x 1"



**MILLWORK
DESIGN**

BY OXFORD

Sharper Lines, Crisper Edges, Superior Designs

For over 25 years, Millwork Design by Oxford (MDO), formerly A&B Wood Design, has provided a line of architectural moldings that offer a more custom approach to the traditional “commodity” profiles available. From our warehouse located centrally in Oxford, CT we currently stock over 70 products available for delivery to your local lumber retail yard. MDO has been employee-owned since 2022.

800.669.9871

Fax 203.888.0493 | MDOxford.com