



MDO
**MILLWORK
DESIGN**
BY OXFORD

Enhancing the style of your home

GREAT SERVICE & SUPERIOR DESIGN



**MILLWORK
DESIGN**

BY OXFORD

Sharper Lines, Crisper Edges, Superior Designs

For over 25 years, Millwork Design by Oxford (MDO), formerly A&B Wood Design, has provided a line of architectural mouldings that offer a more custom approach to the traditional “commodity” profiles available. From our warehouse located centrally in Oxford, CT we currently stock over 80 products available for delivery to your local lumber retail yard. MDO has been employee-owned since 2022.

800.669.9871

Fax 203.888.0493 | MDOxford.com

Contents

MDO Stock Collections..... 4-29

Transitional Essentials 5-7

Contemporary..... 8-10

Colonial..... 11-16

Clean Lines 17-21

Classic 22-27

Coastal 28-33

Stacking Ideas..... 34

Custom Orders..... 35

MDO Designs Special Order36-52

Backbands 51-52

Baseboards..... 44-46

Base Caps 37

Beads..... 51

Casings..... 38-53, 50

Chair Rails 46

Crowns 47-49

Crowns - Solid..... 50

Crown Extenders..... 52

Panel Mouldings 37

Plinths..... 51

Shoe Mouldings..... 37

Sill 52

Historic Mouldings 53-60

Federal 53-54

Greek Revival..... 55

Art Deco 56

Wren & Georgian 57-58

Tudor 59

Victorian 60

Our stock profiles are available in Primed Finger Joint (PFJ) Pine, other species available by Special Order.

1 X 6 45	AB026 29, 45	AB207-3 44	AB65-34 12
AB/HM9101 53	AB027 23	AB208 44	AB66 51
AB/HM9102 55	AB027-2 37	AB209 44	AB67 51
AB/HM9103 55	AB028 23, 45	AB210-1 45	AB68-3 25
AB/HM9104 56	AB101 38	AB210-2 45	AB68-4 25
AB/HM9105 10	AB102 38	AB212-1 14	AB69 19
AB/HM9105-3 10	AB103 38	AB212-7 15	AB705 15
AB/HM9106 57	AB104 38	AB213 45	AB76 14, 33
AB/HM9107 58	AB105 38	AB214 45	AB802-4 9
AB/HM9109 59	AB106 39	AB219 15, 30	AB802-5 9
AB/HM9110 60	AB107 39	AB301 29	AB802-6 9
AB/HM9201 53	AB108 6	AB302 46	AB808 9
AB/HM9202 54	AB109 23	AB303 12	AB808BB 9
AB/HM9203 55	AB110 18	AB304 46	AB809 9
AB/HM9203-2 55	AB110-2 18	AB305 46	AB81 52
AB/HM9204 56	AB110Bead 18	AB307 46	AB810 9
AB/HM9205 10	AB111 18	AB308 46	AB812 9
AB/HM9205-2 10	AB111-7 18	AB309 46	AB82 21
AB/HM9205-5 10	AB112 39	AB310 29	AB83 52
AB/HM9206 57	AB113 39	AB311 26	AB84-4 21
AB/HM9207 58	AB114 39	AB311-2 26	AB85 52
AB/HM9209 59	AB115 40	AB311-3 26	AB86 21
AB/HM9210 60	AB116 40	AB311-BN 14, 26	AB87 51
AB/HM9301 53	AB118 40	AB401 47	AB8-Cap 9
AB/HM9302 54	AB121 40	AB402 19	AB907 21
AB/HM9303 55	AB123 40	AB402-4 19	AB909 21
AB/HM9304 56	AB124 41	AB402-6 20	AB96-1 52
AB/HM9305 10	AB125 41	AB403 47	ABNick6 9, 33
AB/HM9306 57	AB126 41	AB404 47	ABNick8 9, 33
AB/HM9307 58	AB127 41	AB405 32	ABSILL 52
AB/HM9309 59	AB128 31	AB406 47	MD604 7
AB/HM9310 60	AB129 31	AB407 48	MD605 7
AB/HM9401 53	AB130 41	AB408 16	
AB/HM9402 54	AB131 41	AB409 20	
AB/HM9403-1 55	AB132 13	AB410 48	
AB/HM9403-2 55	AB132-2 13	AB501 27	
AB/HM9404 56	AB132-4 13	AB501-4 27	
AB/HM9405 10	AB133 42	AB502 49	
AB/HM9406 57	AB134 42	AB503 31	
AB/HM9407 58	AB134-5 13	AB504 27, 32	
AB/HM9409 59	AB135 42	AB505 32	
AB/HM9410 60	AB136 24	AB506 49	
AB001 12, 23, 45	AB136-2 24	AB507 49	
AB002 37	AB136-3 24	AB508 49	
AB003 29	AB137 24	AB509 16	
AB004 37, 44	AB138 43	AB601 50	
AB005 37	AB139 43	AB602 15, 26	
AB006 12	AB201 43	AB603 50	
AB008 37	AB202 43	AB604 50	
AB009 12, 29	AB203 30	AB605 50	
AB010 12, 29	AB204 6, 30	AB606 50	
AB020 37	AB205-1 44	AB61 51	
AB021 29	AB205-2 44	AB62 51	
AB022 37	AB206 14	AB63 52	
AB023 23	AB207-1 44	AB64 52	
AB025 23	AB207-2 44	AB65-1 12	

Backbands:

AB61.....51
 AB6251
 AB63 52
 AB64 52
 AB65-1.....12
 AB65-3412
 AB808BB 9
 AB96-1..... 52

Baseboards:

1 X 6 45
 AB/HM920153
 AB/HM9202..... 54
 AB/HM9203 55
 AB/HM9204 56
 AB/HM9205.....10
 AB/HM9205-5.....10
 AB/HM9206 57
 AB/HM9207.....58
 AB/HM9209 59
 AB/HM921060
 AB111.....18
 AB111-718
 AB20330
 AB204 6, 30
 AB205-1.....44
 AB206 14
 AB207-244
 AB20844
 AB20944
 AB210-2.....45
 AB212-1 14
 AB212-715
 AB213.....45
 AB214.....45
 AB219.....15, 30
 AB301..... 29
 AB810..... 9
 AB812..... 9
 AB70515

Beads:

AB110Bead18
 AB8621
 AB8751

Casings:

AB/HM9101.....53
 AB/HM910254
 AB/HM9103 55
 AB/HM9104 56
 AB/HM910510
 AB/HM9105-310
 AB/HM9106 57
 AB/HM9107 58
 AB/HM9109 59

AB/HM9110..... 60
 AB101 38
 AB102.....38
 AB103.....38
 AB104.....38
 AB105.....38
 AB106.....39
 AB107.....39
 AB108..... 6
 AB109.....23
 AB11018
 AB110-218
 AB11239
 AB11339
 AB11439
 AB11540
 AB11640
 AB11840
 AB12140
 AB123.....40
 AB124..... 41
 AB125..... 41
 AB126..... 41
 AB127 41
 AB128..... 31
 AB129..... 31
 AB130..... 41
 AB131 41
 AB132 13
 AB132-2..... 13
 AB132-4..... 13
 AB133.....42
 AB13442
 AB134-5..... 13
 AB135.....42
 AB136.....24
 AB136-2.....24
 AB136-3.....24
 AB13724
 AB138.....43
 AB139.....43
 AB201.....43
 AB20243
 AB808 9
 AB809 9
 AB90721
 AB90921

Chair Rails:

AB/HM9301 53
 AB/HM9302 54
 AB/HM9303 55
 AB/HM9304 56
 AB/HM930510
 AB/HM9306 57
 AB/HM9307..... 58
 AB/HM9309 59

AB/HM931060
 AB301.....29
 AB302.....46
 AB303.....12
 AB304.....46
 AB305.....46
 AB30746
 AB308.....46
 AB309.....46
 AB310.....29
 AB31126
 AB311-226
 AB311-326
 AB311-BN11, 26

Crowns:

AB/HM940153
 AB/HM9402 54
 AB/HM9403-1..... 55
 AB/HM9403-2 55
 AB/HM9404 56
 AB/HM940510
 AB/HM9406 57
 AB/HM9407.....58
 AB/HM9409 59
 AB/HM941060
 AB401.....47
 AB402.....19
 AB402-4.....19
 AB402-620
 AB403.....47
 AB40447
 AB40532
 AB40647
 AB40748
 AB40816
 AB40920
 AB410.....48
 AB501..... 27
 AB501-4..... 27
 AB50249
 AB503 31
 AB504 27, 32
 AB50532
 AB50649
 AB50749
 AB50849
 AB50916
 AB601.....50
 AB60215, 26
 AB60350
 AB60450
 AB60550
 AB60650
 AB802-4 9
 AB802-5 9
 AB802-6 9

MD604..... 7
 MD605..... 7

Crown Extenders:

AB81 52
 AB8221
 AB83 52
 AB84-421
 AB85 52

Nickel Gap:

ABNick6 9, 33
 ABNick8 9, 33

Plinths:

AB6651
 AB6751
 AB68-3 25
 AB68-4 25

Shoes / Panels / Caps:

AB/HM9203-2..... 55
 AB/HM9205-2.....10
 AB001..... 12, 23, 45
 AB002 37
 AB003 29
 AB004..... 37,44
 AB005 37
 AB00612
 AB008 37
 AB0099, 29
 AB010.....9, 29
 AB020 37
 AB021..... 29
 AB022 37
 AB023 23
 AB025 23
 AB026 29, 45
 AB027 23
 AB027-2 37
 AB028 23, 45
 AB205-2 44
 AB207-1..... 44
 AB207-3 44
 AB210-1 45
 AB210-2..... 45
 AB8-Cap10

Sill:

ABSILL 52

Stool:

AB6919

Wainscot:

AB7614, 33



Stock Mouldings

Discover the timeless beauty and versatility of our stock collections. Each profile is meticulously crafted from high-quality, gesso primed finger joint pine. Our gesso primer offers you a superior foundation for your interior design projects, providing a smooth and elegant plaster-like surface coating that's ready for paint. While Gesso is primarily intended for interior use, it can also withstand exterior applications in covered porches and sunrooms, allowing you to extend your design ideas to outdoor spaces. Check out highlights from each collection below to see which will be the best fit for your next project:

Classic: Time-tested designs that exude elegance, adding a touch of tradition.

Contemporary: Sleek profiles for a contemporary look that complement modern interiors.

Colonial: Quintessential New England charm with patterns that bring a sense of nostalgia.

Coastal: Endless beach wave vibes, enhancing a relaxing décor.

Clean Lines: Crisp and simple details, revealing understated charm.

Transitional Essentials: Curated selection of profiles that blend effortlessly with today's top interior styles.

While these stock mouldings come in primed finger joint pine, we understand that your design vision may call for a different wood species. Our mouldings can be manufactured in any type of wood species as special orders. Popular examples include oak, poplar, flex pvc moulding.

Please don't hesitate to reach out to our expert team for any inquiries or to place a special order.



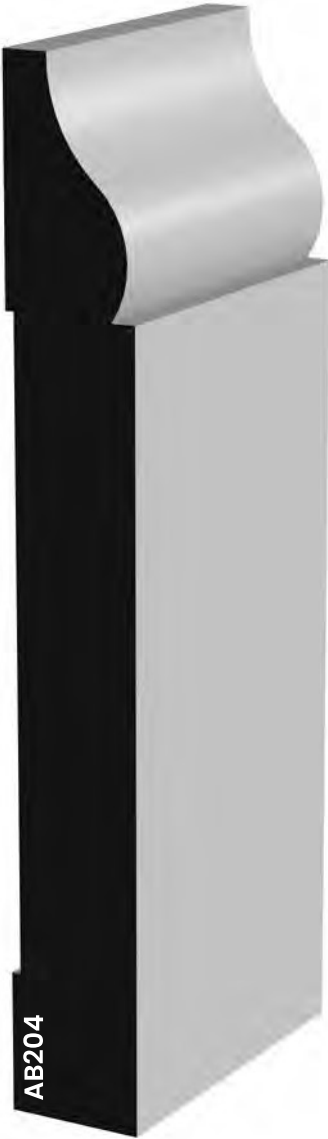
Transitional Essentials

collection

Introducing the Transitional Essentials Collection, a thoughtfully curated lineup designed to deliver elevated style, broad design compatibility, and exceptional value. At the heart of this launch are our two new crown mouldings—MD604 (4-3/8") and MD605 (5-1/2")—crafted with clean, transitional lines that strike the perfect balance between classic refinement and modern simplicity. These new crowns bring fresh dimension and architectural presence to any space.

This collection is also distinguished by the reintroduction of our AB108 casing, brought back from the MDO archives for its timeless silhouette.

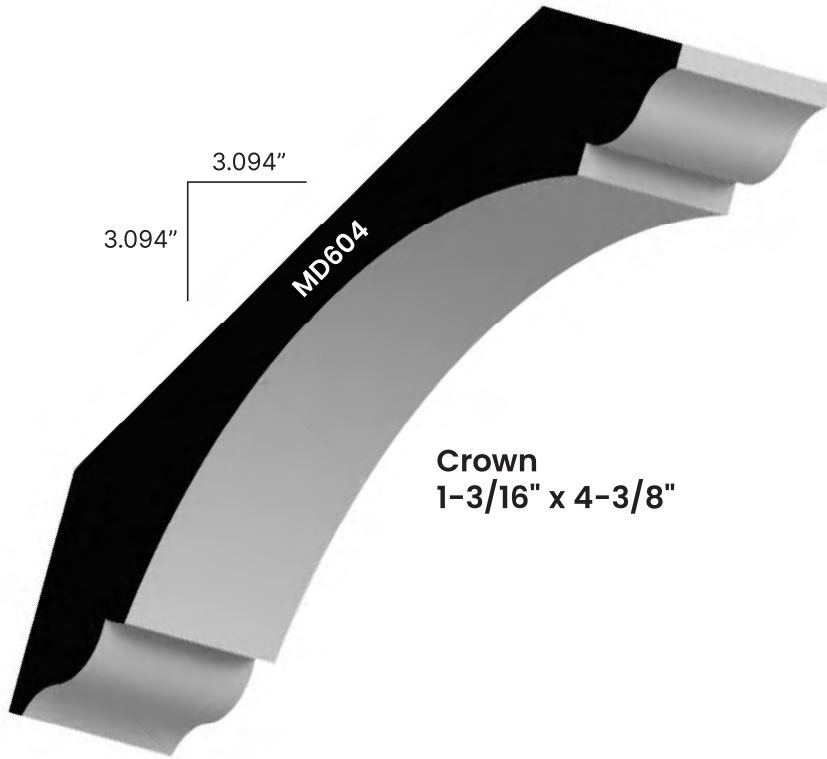
Designed to complement a wide range of interiors—from modern traditional and contemporary to coastal and transitional—these profiles offer the flexibility designers and builders rely on. And with their high-end appearance paired with cost-effective value, the Transitional Essentials Collection is ideal for large-scale projects and refined renovations.



Baseboard
11/16" x 5-1/2"



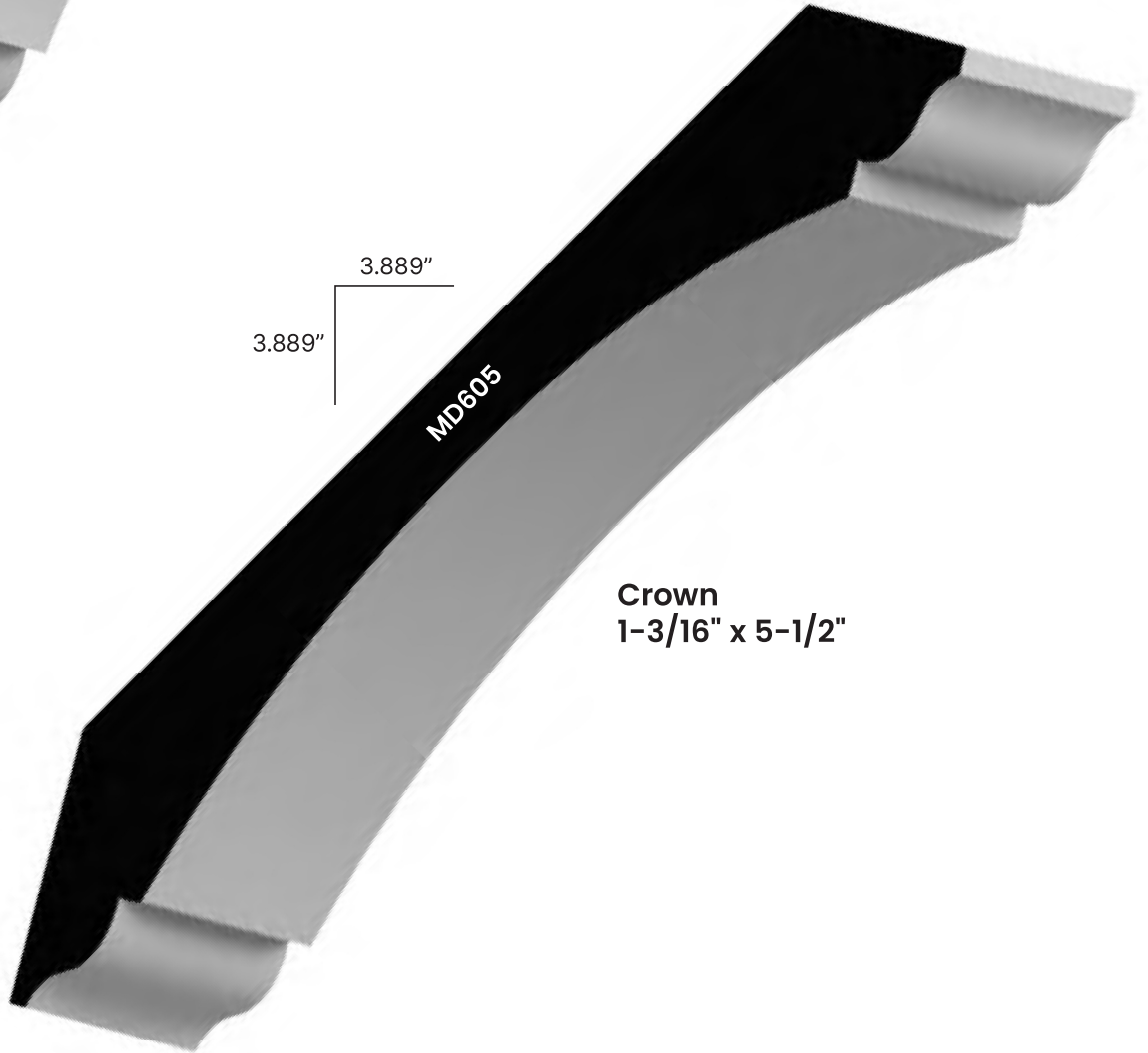
Casing
3/4" x 3-1/2"



MD604

3.094"
3.094"

Crown
1-3/16" x 4-3/8"



MD605

3.889"
3.889"

Crown
1-3/16" x 5-1/2"



Contemporary

collection

Crafted with precision and an eye for detail, each moulding in this Contemporary Collection embraces the warm and inviting character of the modern farmhouse, celebrating the rustic textures, natural materials, and comforting ambiance. At the same time, they draw from the unadorned elegance of the Craftsman style, creating a seamless blend of the two design philosophies. From shiplap-inspired baseboards to crown mouldings with subtle geometric patterns, this collection will effortlessly enhance your home's interior with a contemporary touch.

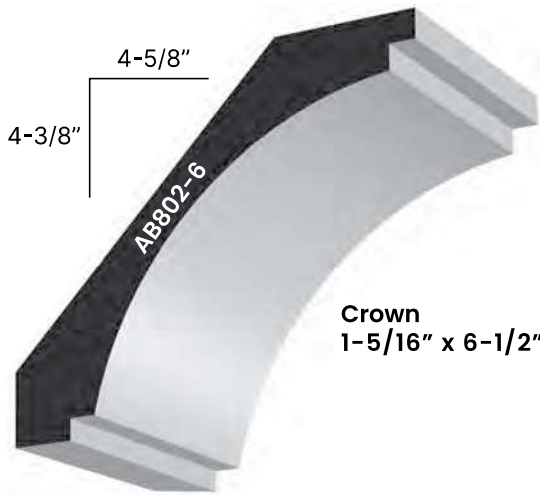




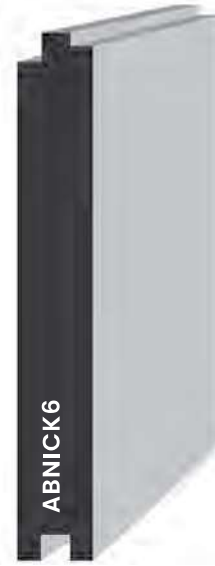
Crown
29/32" x 4-1/2"



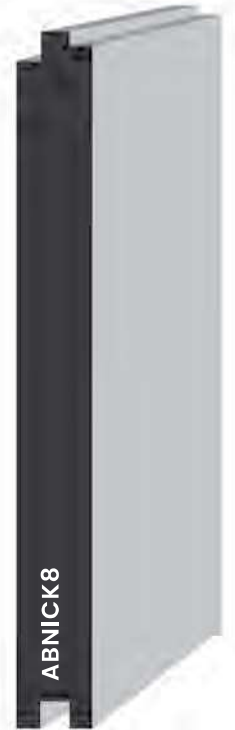
Crown
1-1/8" x 5-1/2"



Crown
1-5/16" x 6-1/2"



Nickel Gap
3/4" x 5-1/2"
Exterior Gesso Primer



Nickel Gap
3/4" x 7-1/4"
Exterior Gesso Primer



AB808BB
Back Band
15/16" x 1"



AB8-CAP
Panel/Cap
11/16" x 3/4"



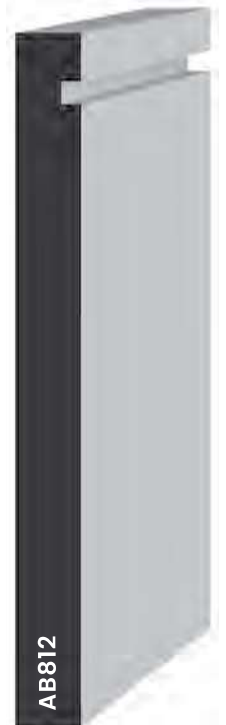
Casing
11/16" x 3-1/2"



Casing
11/16" x 4-1/2"



Base
11/16" x 5-1/2"



Base
11/16" x 7-1/4"

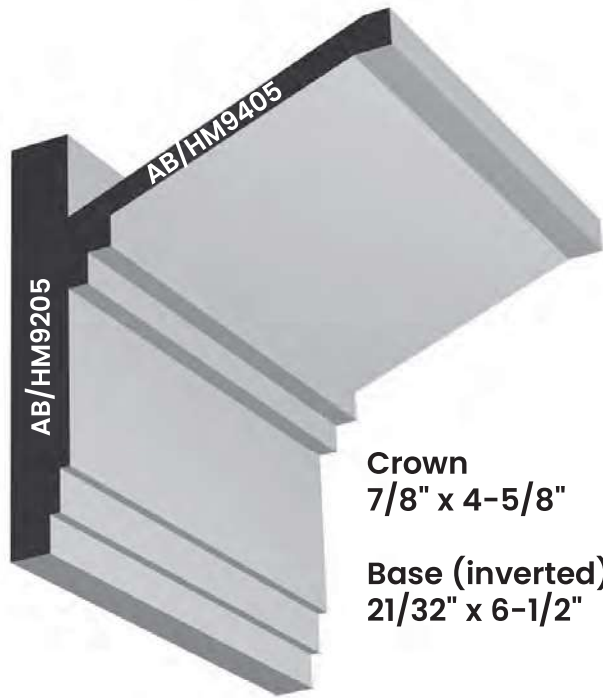
STOCK MOULDINGS



Casing
13/16" x 3-1/2"



Casing
1" x 4-15/32"



Crown
7/8" x 4-5/8"

Base (inverted)
21/32" x 6-1/2"



Chair Rail
1-3/4" x 2"

Rabbet
Dimension: 3/4"



Base
21/32" x 6-1/2"

Shoe 1/2" x 1"

AB/HM9205-2



Base
21/32" x 5"

Shoe 1/2" x 1"

AB/HM9205-2



Colonial

collection

Imbued with a sense of history and heritage, our Colonial Collection pays homage to the timeless architectural elements that have graced elegant homes throughout the centuries, capturing the essence of early American craftsmanship. Whether you are renovating a historic property or seeking to infuse your contemporary space with a touch of heritage, these mouldings effortlessly complement various design aesthetics.



AB001

Shoe, Panel or Cap
11/16" x 1-7/8"



AB009

Shoe, Panel or Cap
11/16" x 1-7/8"



AB006

Shoe, Panel or Cap
11/16" x 1-3/8"



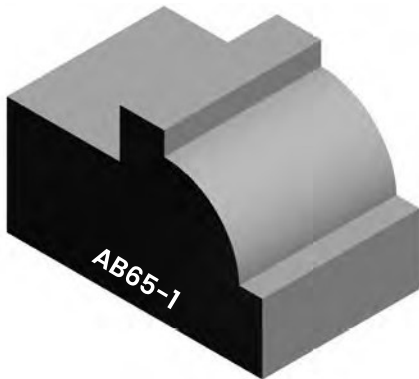
AB303

Chair Rail/Ceiling Mould
15/16" x 2-1/2"



AB010

Shoe, Panel or Cap
11/16" x 1-5/8"



AB65-1

1-1/16" x 1-9/16"

Rabbet Dimensions:
P = 3/4" / PFJ = 21/32"



AB65-34

Backband
1-1/16" x 1-9/16"

Rabbet Dimensions:
P = 3/4" / PFJ = 23/32"



Casing
1-1/16" x 3-5/8"

ABI32



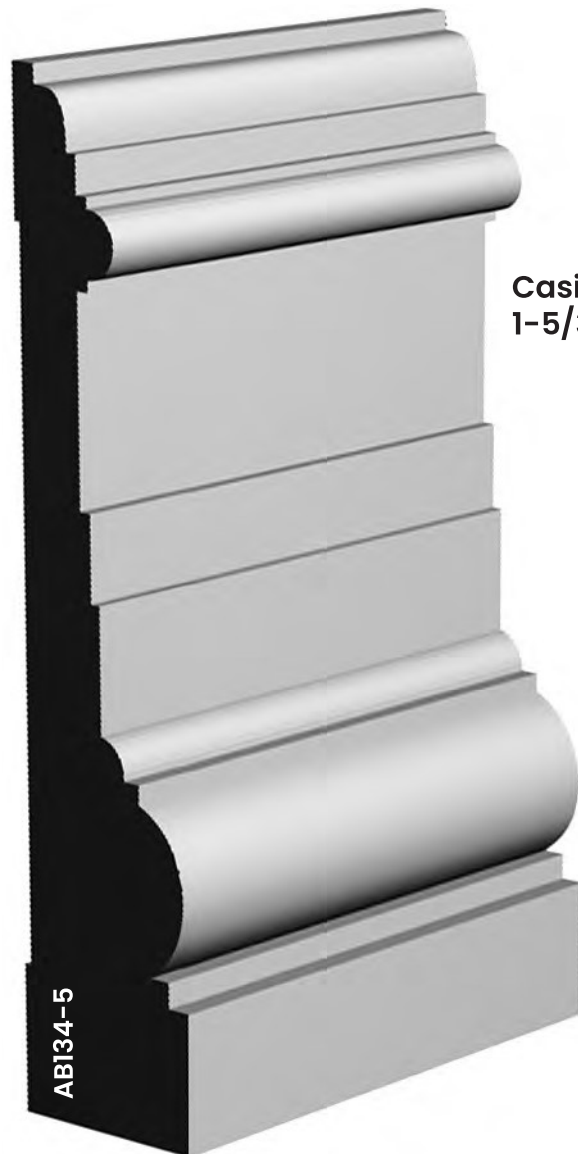
Casing
1 1/16" x 2-1/2"

ABI32-2



Casing
1-1/16" x 4-1/2"

ABI32-4



Casing
1-5/32" x 5-1/2"

ABI34-5

STOCK MOULDINGS



Chair Rail
1-5/16" x 2"
Rabbit Dimension: 3/8"



Wainscot
3/8" x 3-1/2"



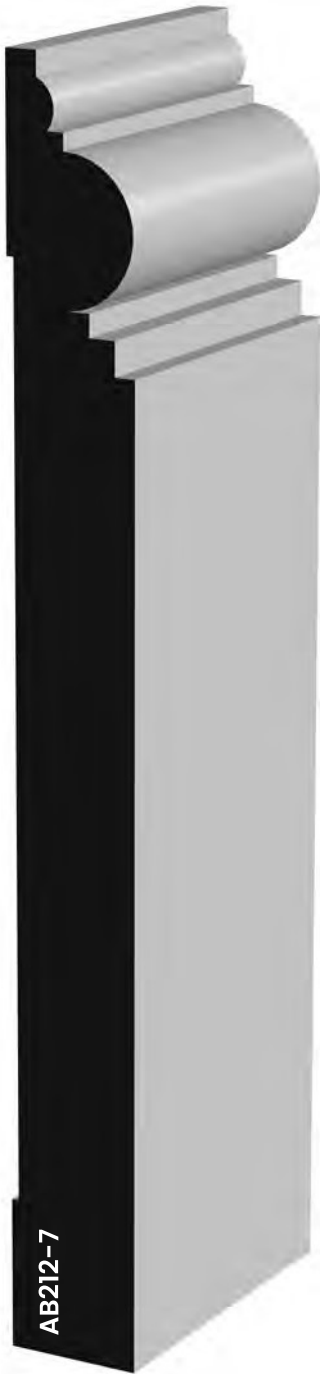
Baseboard
11/16" x 4-1/2"



Baseboard
11/16" x 5-1/2"



Stool
1-1/16" x 5-1/4"



AB212-7

Baseboard
1 1/16" x 7"



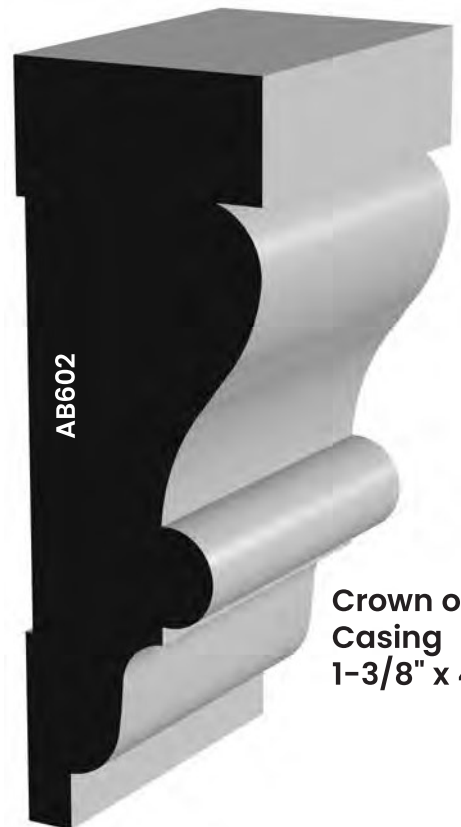
AB219

Baseboard
1 1/16" x 7"



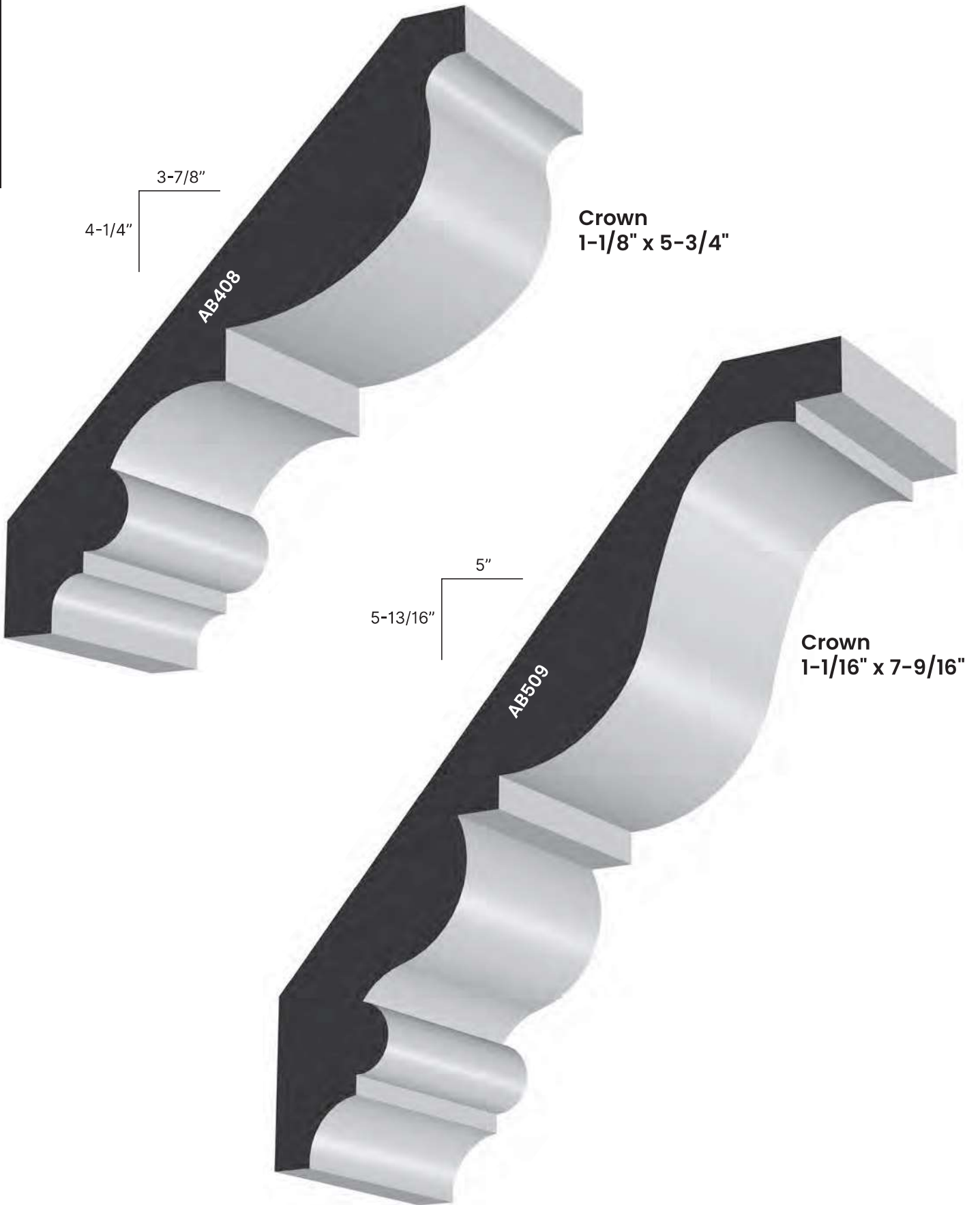
AB705

Rabbeted Base
27/32" x 4"



AB602

Crown or
Casing
1-3/8" x 4"





Clean Lines

collection

Emphasizing the principle of less is more, our Clean Lines Collection features sleek and uncluttered profiles that seamlessly blend into any architectural design. The clean lines of these mouldings create a sense of balance and harmony, allowing your decor and furnishings to take center stage while providing a subtle yet impactful visual frame.

STOCK MOULDINGS



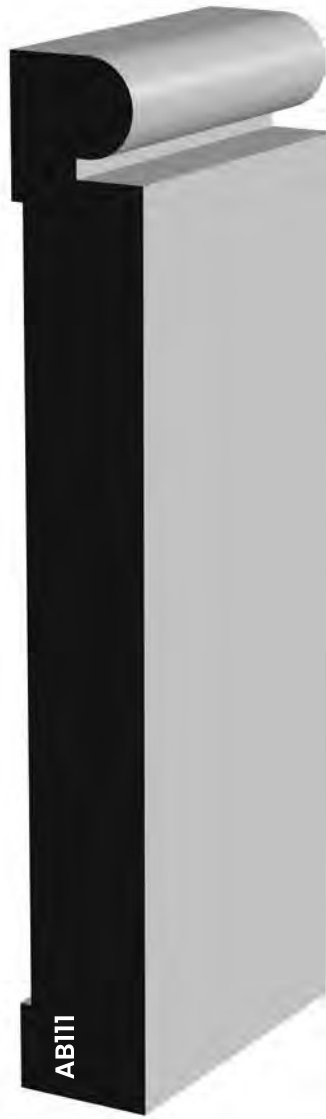
Casing
11/16" x 2-1/2"



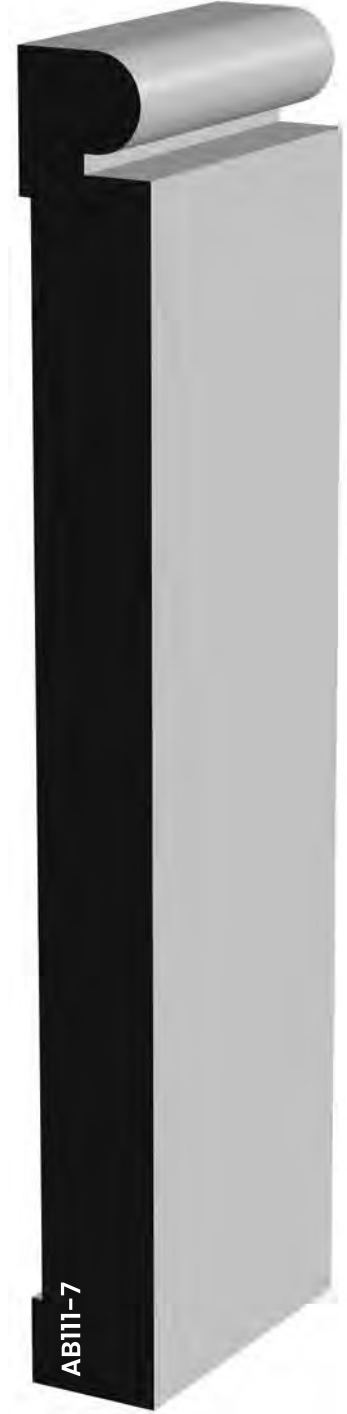
Bead
5/8" x 5/8"



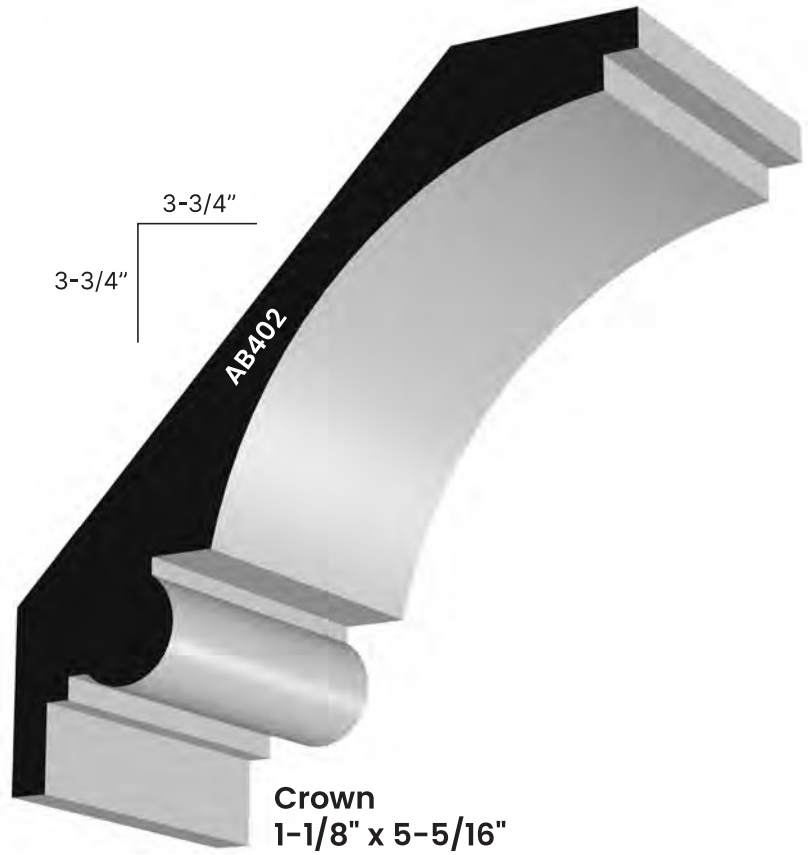
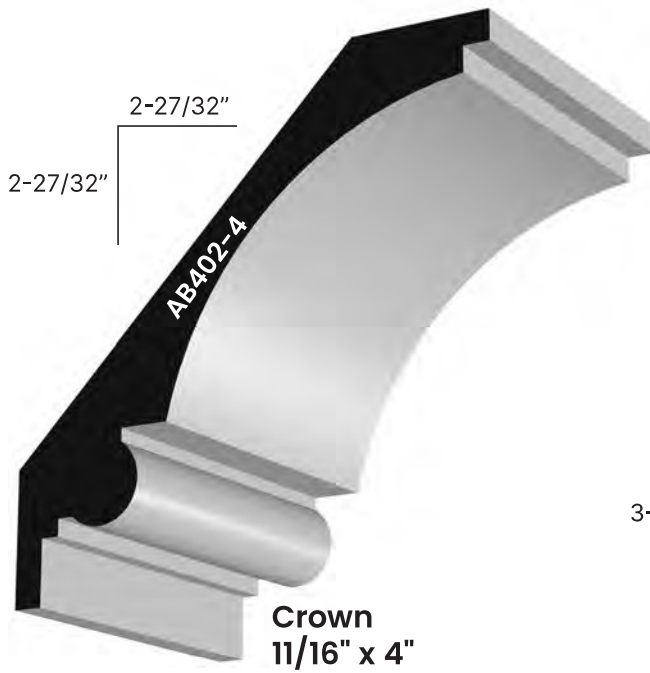
Casing
21/32" x 3-1/2"

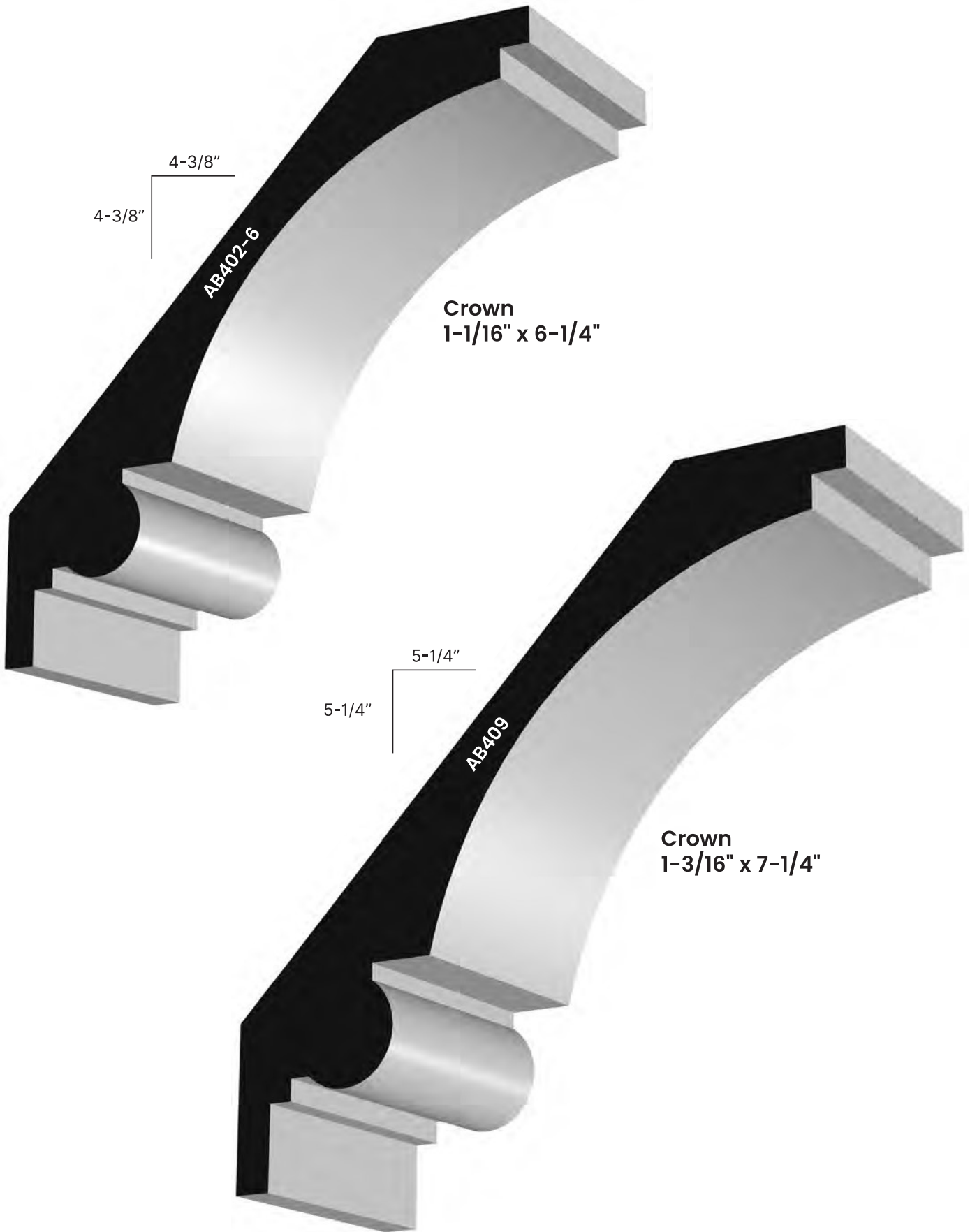


Baseboard
21/32" x 5-1/2"



Baseboard
21/32" x 7"







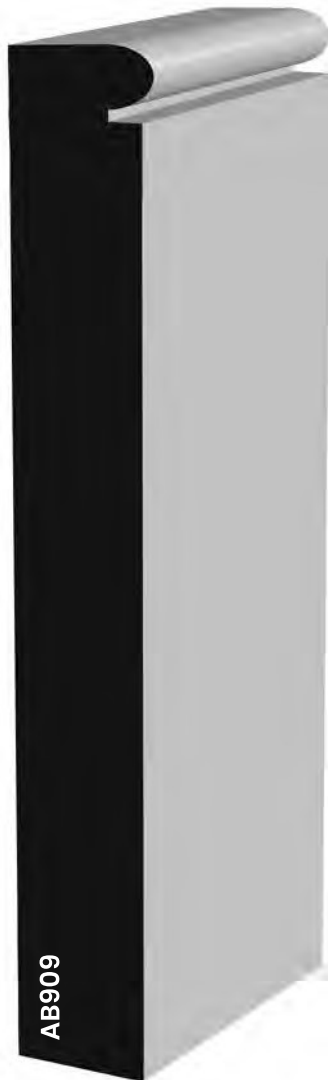
Bead
3/4" x 3/4"



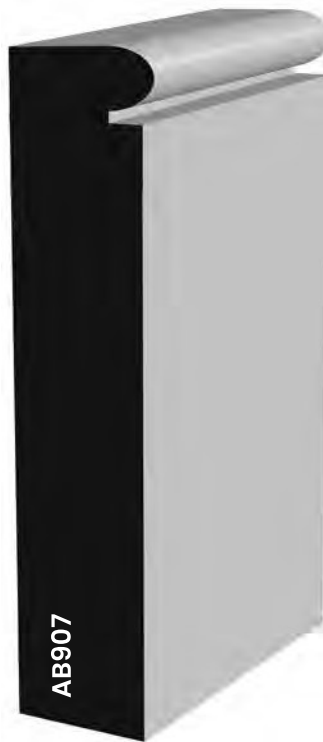
Crown Extender
11/16" x 3"



Crown Extender
11/16" x 3-1/2"



Casing
3/4" x 5-1/4" x 18'



Casing
3/4" x 3-1/2" x 17'



Classic

collection

Inspired by the grace and refinement of traditional craftsmanship, our Classic Collection exudes an air of understated elegance. These timeless profiles with delicate curves hark back to an era of grandeur and sophistication, while modern influences infuse the collection with versatility and adaptability.



Panel or Cap
1-1/16" x 2-7/8"
Rabbet Dimension: 5/8"



Panel or Cap
11/16" x 2-1/16"
Rabbet Dimension: 3/4"



Shoe, Panel or Cap
5/8" x 1"



Shoe, Panel or Cap
1/2" x 1"



Shoe, Panel or Cap
11/16" x 1-7/8"



Casing
11/16" x 3"



Casing
3/4" x 2-1/2"



Casing
1-1/16" x 3-1/2"



Casing
1-3/16" x 4-1/2"

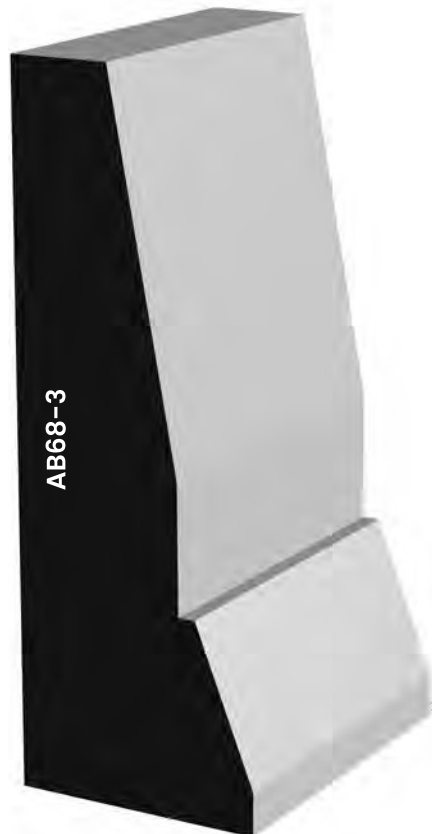


Casing
1-3/8" x 5-1/2"



AB219

Baseboard
1 1/16" x 7"



AB68-3

Plinth
1-3/8" x 3-7/8"



AB68-4

Plinth
1-3/8" x 4-3/4"



Chair Rail
1-5/16" x 2"

Rabbet Dimension: 3/4"



Chair Rail
13/16" x 2"

Rabbet Dimension: 1/4"



Chair Rail
1-5/16" x 2"

Rabbet Dimension: 3/8"

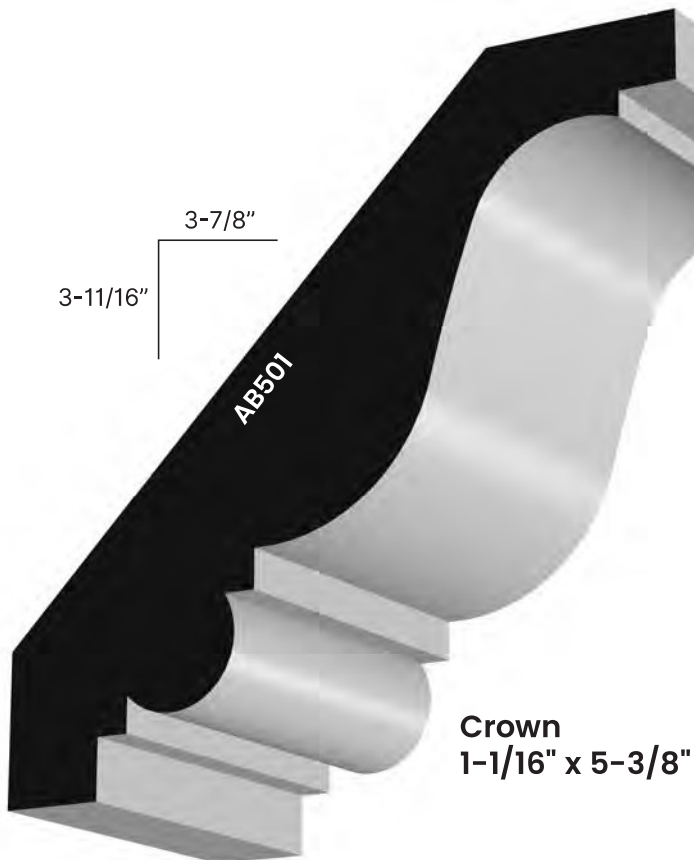
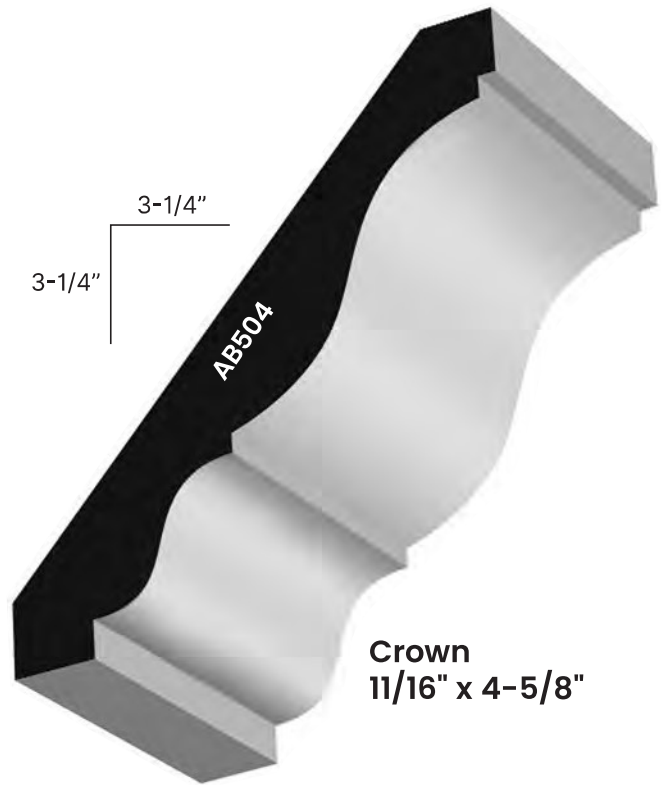
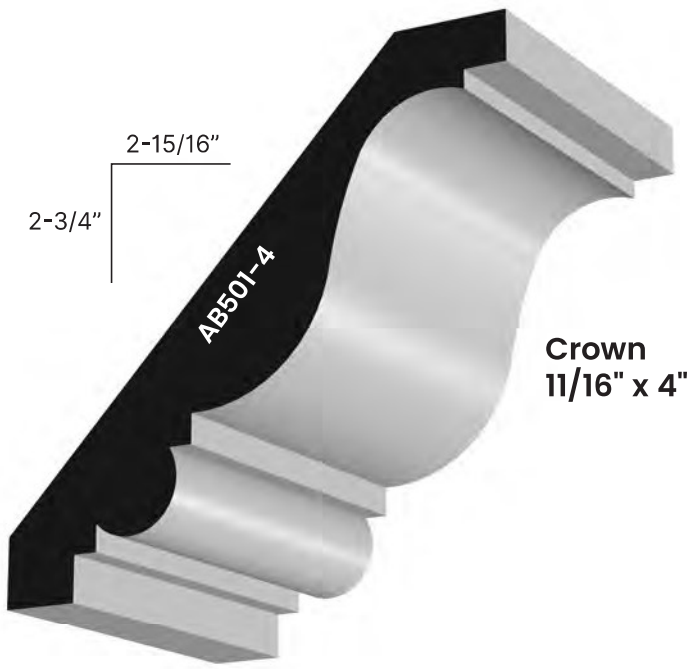


Chair Rail
1-1/16" x 2"

Rabbet Dimension: 1/2"



Crown or Casing
1-3/8" x 4"





Coastal collection

Embrace the mesmerizing, graceful movements of the ocean waves. Our Coastal Collection echoes the allure of rhythmic tides and soothing seaside breezes. These mouldings will transform any living space into a serene coastal retreat.





Shoe, Panel or Cap
11/16" x 1-3/4"



Shoe, Panel or Cap
11/16" x 1-5/8"



Panel or Cap
1-1/8" x 2-3/8"
Rabbit Dimension: 3/4"



Shoe, Panel or Cap
11/16" x 1-7/8"



Shoe, Panel or Cap
5/8" x 1-13/16"



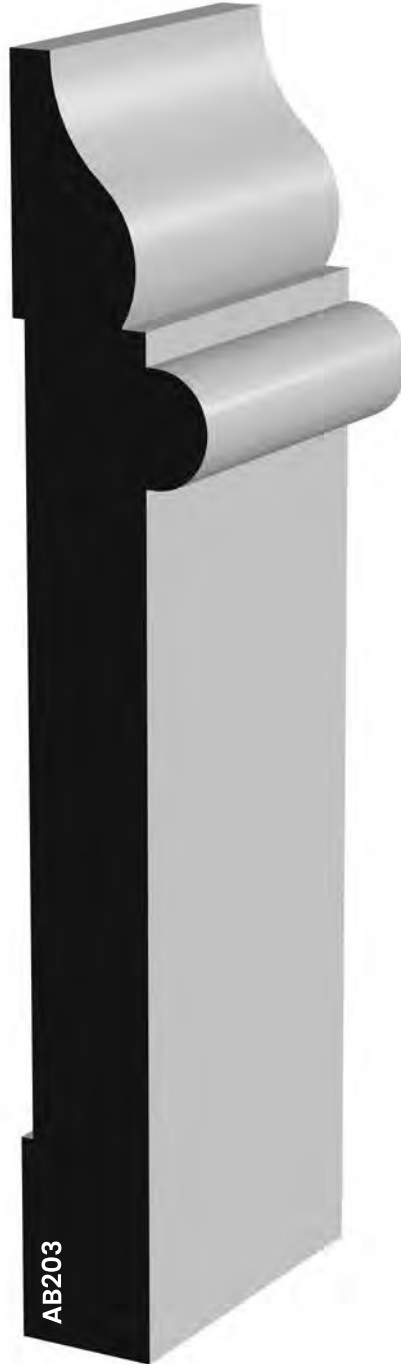
Chair Rail
1-1/32" x 3-1/2"



Chair Rail
1-3/8" x 3-1/2"
Rabbit Dimension: 3/4"



Baseboard
11/16" x 5-1/2"



Baseboard
1-1/16" x 6-1/2"



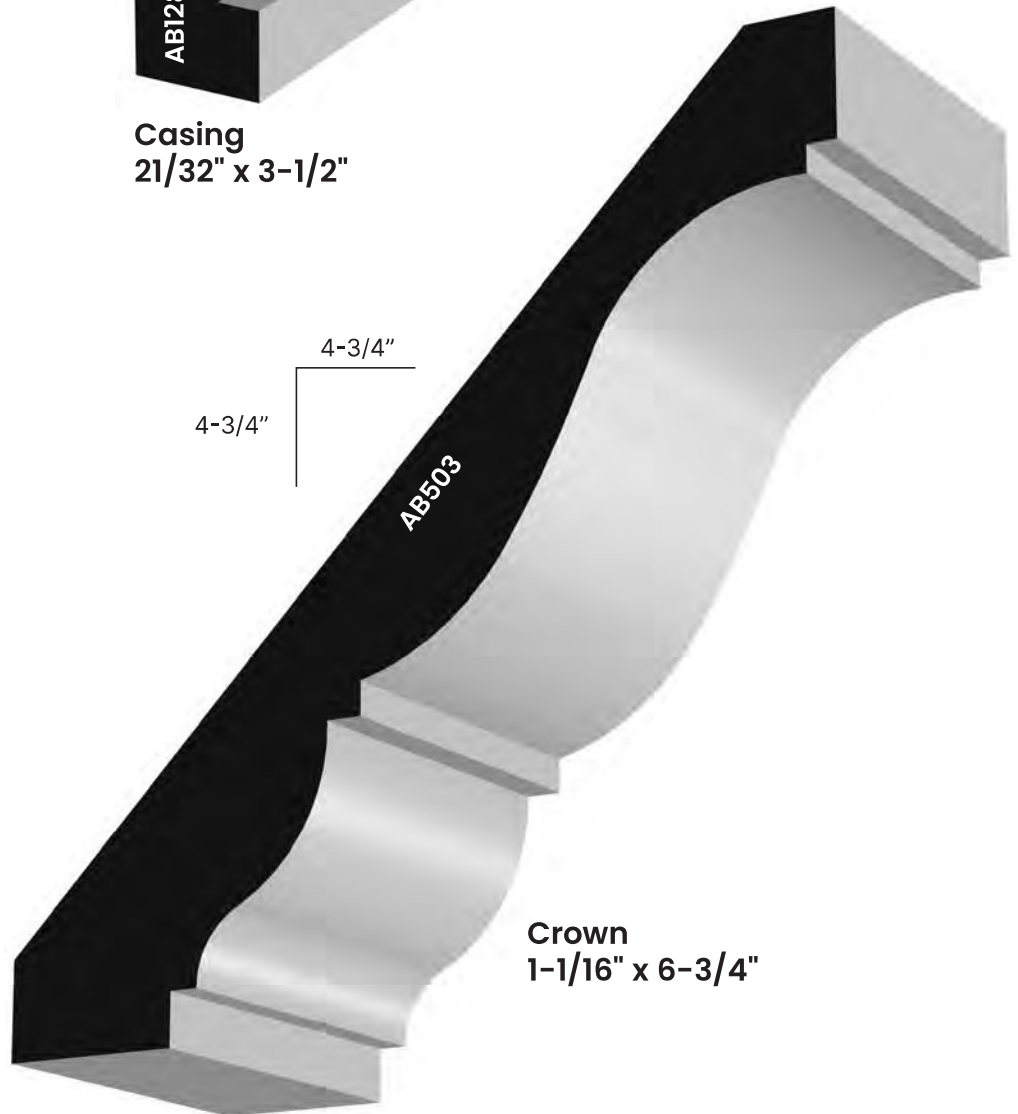
Baseboard
11/16" x 7"



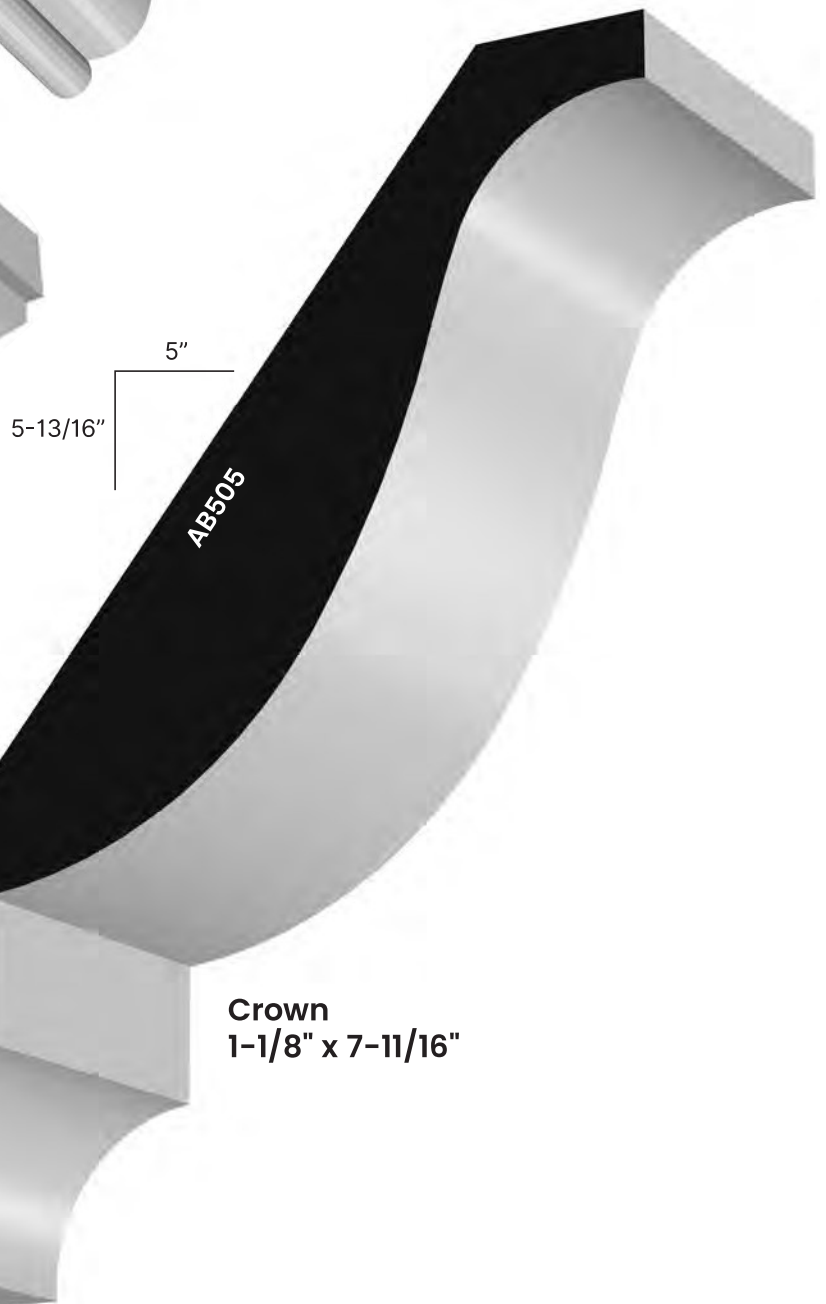
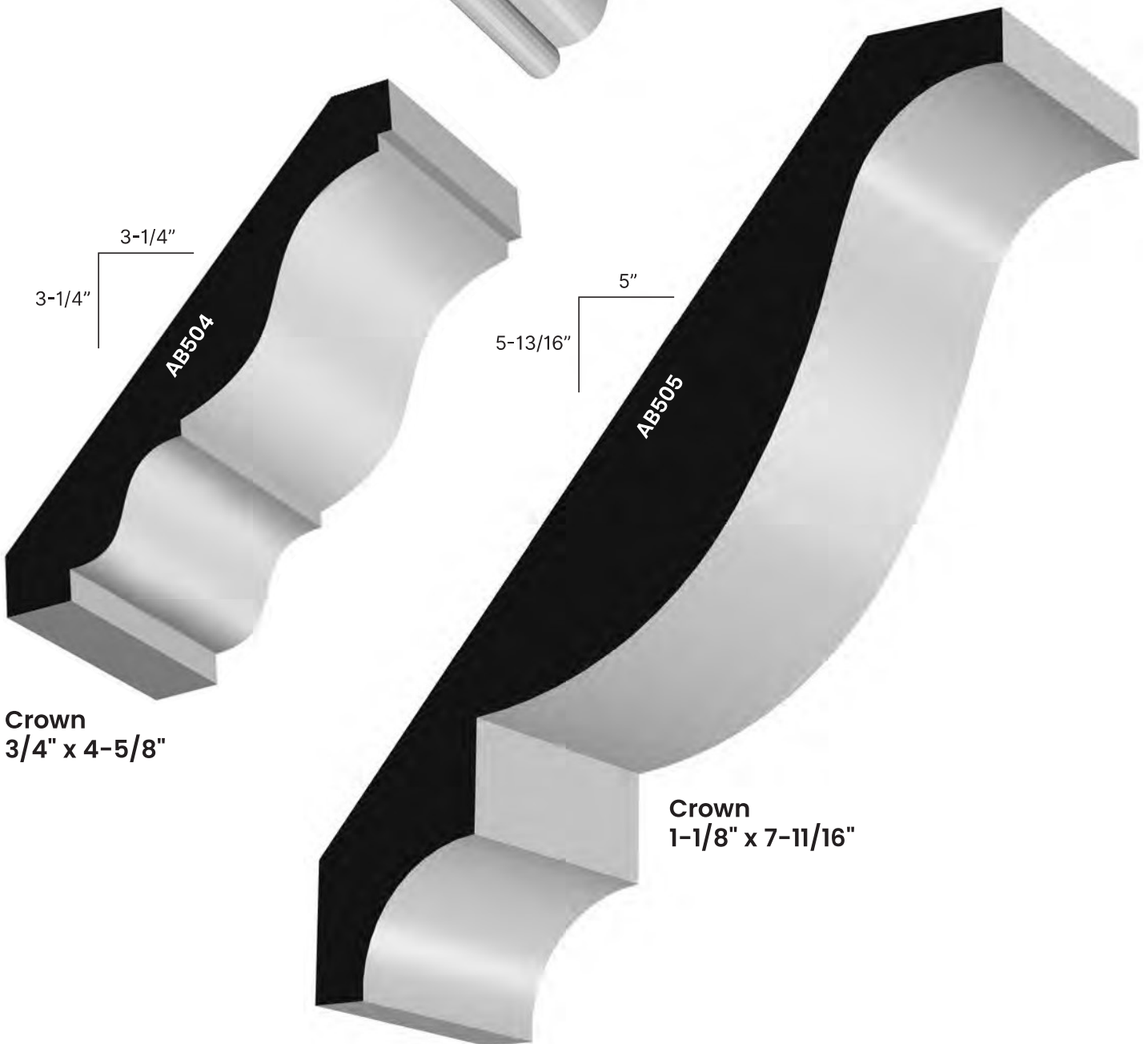
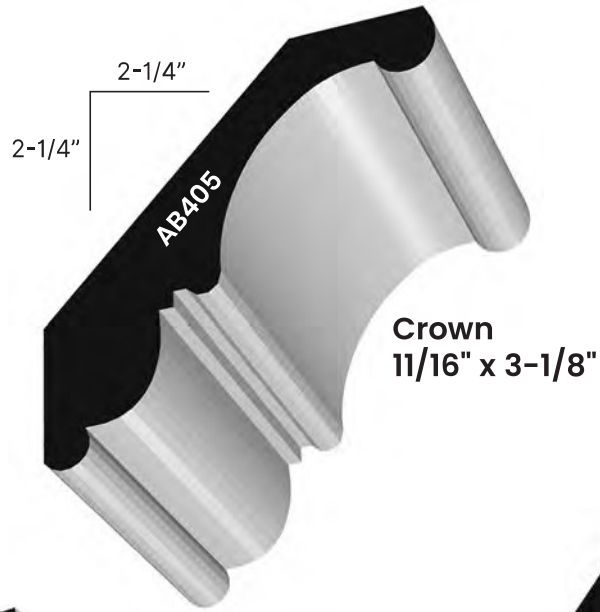
Casing
1-1/16" x 4-3/8"



Casing
21/32" x 3-1/2"



Crown
1-1/16" x 6-3/4"

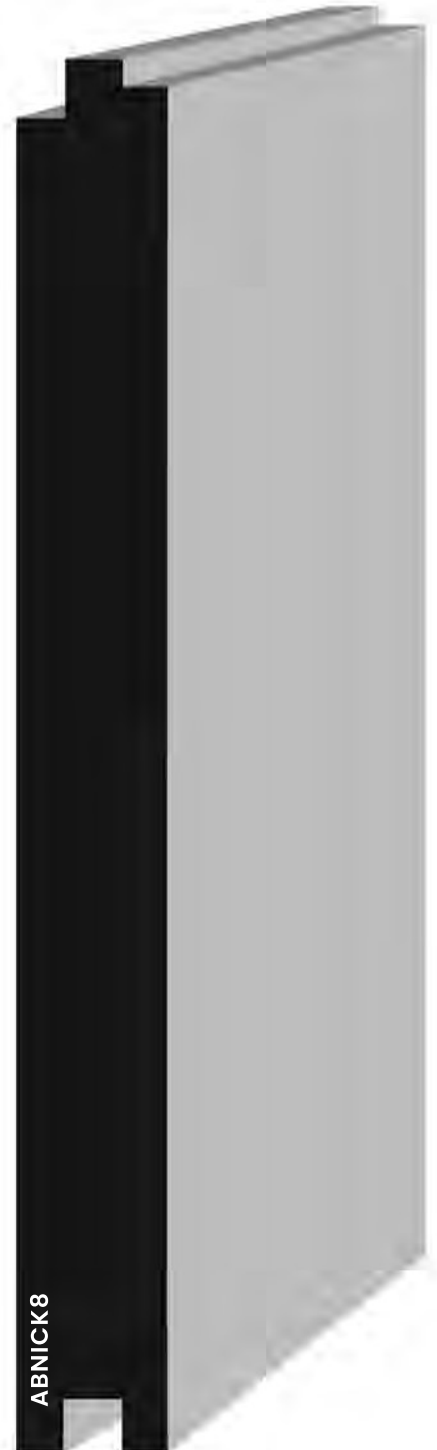




Wainscot
3/8" x 3-1/2"



Nickel Gap
3/4" x 5-1/2"



Nickel Gap
3/4" x 7-1/4"

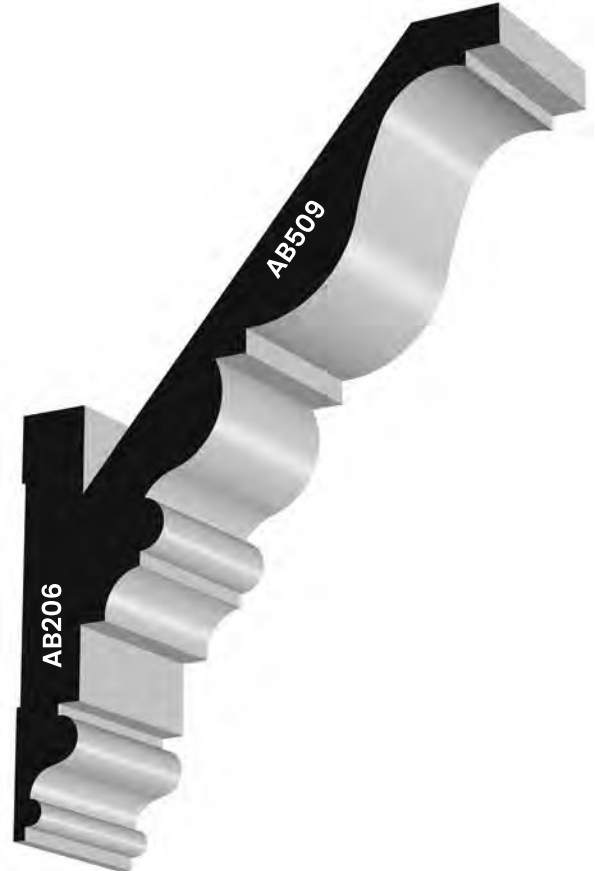
Stacking Ideas

Mouldings are frequently combined to provide a larger composite profile, rendering a more pronounced look. Backbands provide additional depth to Casings, Base mouldings can be used to further enhance Chair Rails, and when inverted, can extend the look of a Crown detail. While the possible combinations are only limited by the imagination, we offer a few to illustrate the potential.

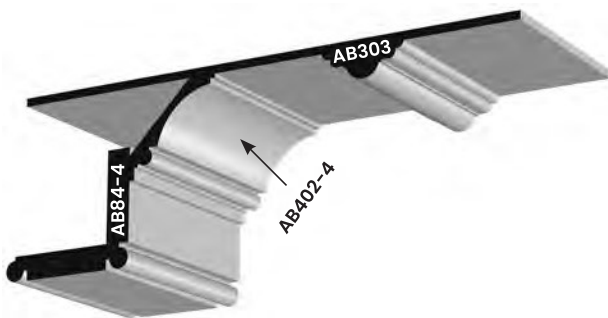
COMBINATIONS



Crown Combination
AB212-1
AB501



Crown Combination
AB206
AB509



Coffered Ceiling Combination
AB84-4
AB402-4
AB303



Coffered Ceiling Combination
AB82
AB025

Custom Profile Orders



WE CAN CUSTOM MATCH ANY
MOULDING PROFILE

CUSTOM ORDER DETAILS

**MINIMUM ORDER
REQUIREMENT:**
100 LINEAR FEET (LF)

OVERRUN POLICY:
ORDERS MAY INCLUDE UP TO
A 10% OVERRUN CHARGE

LEAD TIME:
ORDERS TYPICALLY TAKE 2 ½
TO 3 WEEKS FOR
COMPLETION

QUOTE REQUIREMENTS

- A PHOTO OF THE PROFILE
- MEASUREMENTS OF THE MOULDING
- LINEAR FOOTAGE
- WOOD SPECIES (EXOCITC SPECIES POSSIBLE - EXAMPLES: MAHOGANY, CEDAR, CYPRESS)
- PRIMED OR UNPRIMED
- (A SAMPLE MAY BE REQUIRED FOR PRODUCTION)

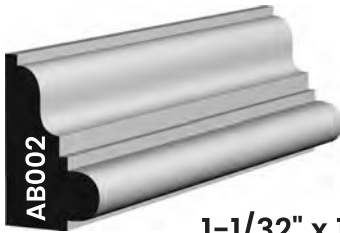
IMPORTANT NOTES

QUOTE IS TYPICALLY PROVIDED WITHIN 24 HOURS
CUSTOM ORDERS ARE NON-REFUNDABLE
SIGNATURE IS REQUIRED FOR ORDER APPROVAL

**MILLWORK
DESIGN****BY OXFORD**

Special Order Mouldings

All special order profiles are made to order and are non-refundable. A minimum order of 100 linear feet is required. Typical lead time is 3 1/2 weeks. Please specify wood species and quantity when requesting a quote, and allow 24 hours for quoting.



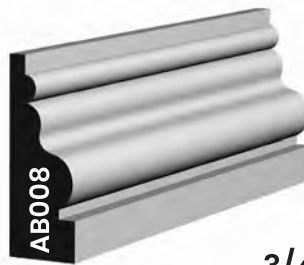
1-1/32" x 1-11/16"



5/8" x 1-1/4"



3/4" x 2-1/16"



3/4" x 2-1/16"



1/2" x 1-3/4"



1-1/8" x 2-7/8"



1-1/8" x 3-1/2"

*Special Order Items are Available in ANY Species.
All items on this page are special order; lead time 3-1/2 weeks; priming and finishing available.



3/4" x 4-1/16"



1" x 3-1/2"



3/4" x 3"



3/4" x 3-3/4"



1-1/16" x 6-1/8"

*Special Order Items are Available in ANY Species.
All items on this page are special order; lead time 3-1/2 weeks; priming and finishing available.



3/4" x 3-1/2"



3/4" x 3-3/16"



3/4" x 3-1/2"

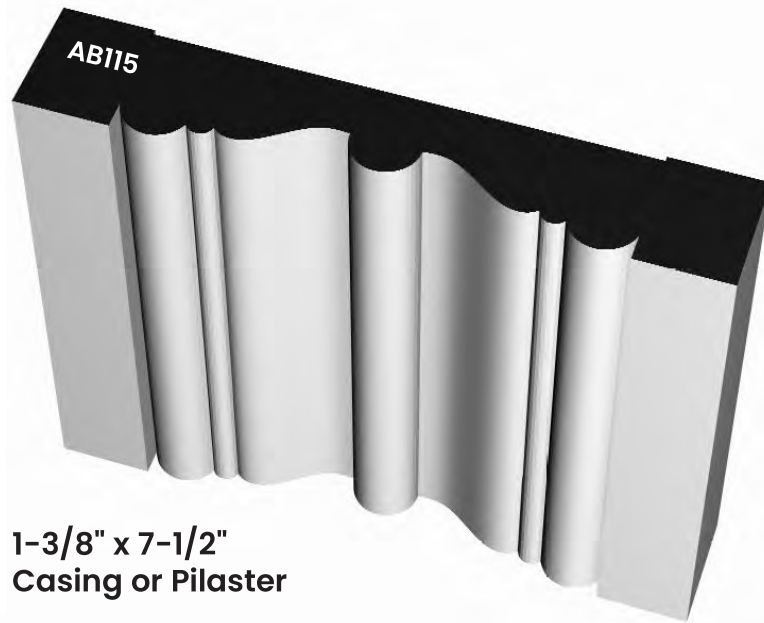


3/4" x 3-1/2"

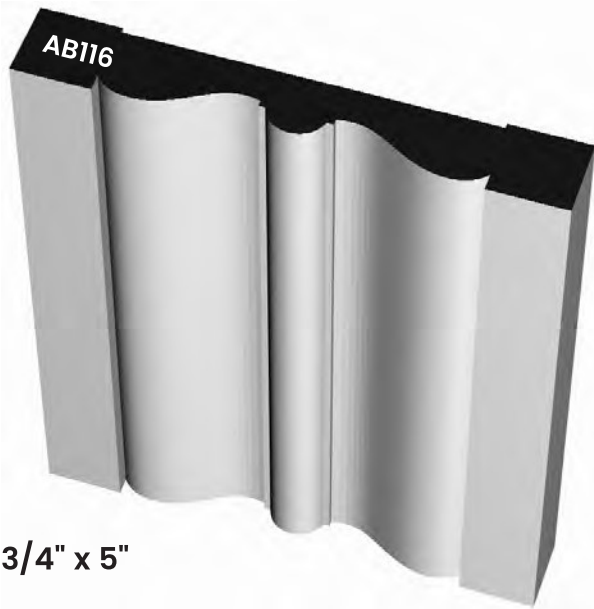


3/4" x 4"

*Special Order Items are Available in ANY Species.
All items on this page are special order; lead time 3-1/2 weeks; priming and finishing available.



1-3/8" x 7-1/2"
Casing or Pilaster



3/4" x 5"



1-3/8" x 4-3/8"

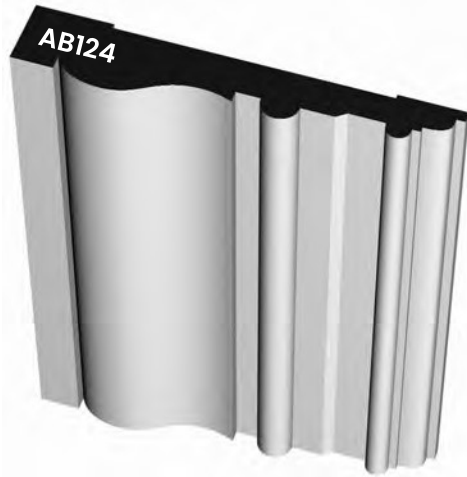


1-5/16" x 4-7/8"



3/4" x 4"

*Special Order Items are Available in ANY Species.
All items on this page are special order; lead time 3-1/2 weeks; priming and finishing available.



13/16" x 4-5/8"



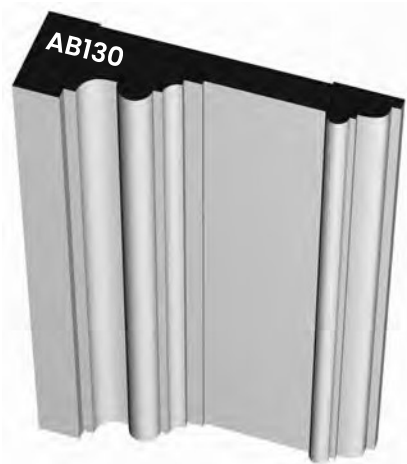
3/4" x 4"



3/4" x 3-1/32"



3/4" x 3-21/32"



1-1/16" x 3-3/4"



1-1/16" x 4"

*Special Order Items are Available in ANY Species.
All items on this page are special order; lead time 3-1/2 weeks; priming and finishing available.



1-3/32" x 4-7/8"



1-1/16" x 5"



1-1/8" x 4-1/4"

*Special Order Items are Available in ANY Species.
All items on this page are special order; lead time 3-1/2 weeks; priming and finishing available.



1-11/16" x 5"



1-3/4" x 5-5/32"



1-1/4" x 4"



1-3/4" x 4-7/8"

*Special Order Items are Available in ANY Species.
All items on this page are special order; lead time 3-1/2 weeks; priming and finishing available.

SPECIAL ORDER



AB205-1 3/4" x 6"
AB205-2 1/2" x 2-1/4"



AB207-1 1-1/2" x 3-7/16"
AB207-2 1" x 5-9/16"
AB207-3 3/4" x 2-13/16"



AB208
3/4" x 6-1/2"



AB209 1-5/32" x 5-1/2"
AB004 5/8" x 1-1/4"

*Special Order Items are Available in ANY Species.
All items on this page are special order; lead time 3-1/2 weeks; priming and finishing available.



AB210-1 1-5/32" x 2-9/16"
AB210-2 1-13/32" x 5"
AB001 3/4" x 1-7/8"



AB211 1-1/8" x 2-3/4"
AB026 5/8" x 1-13/16"



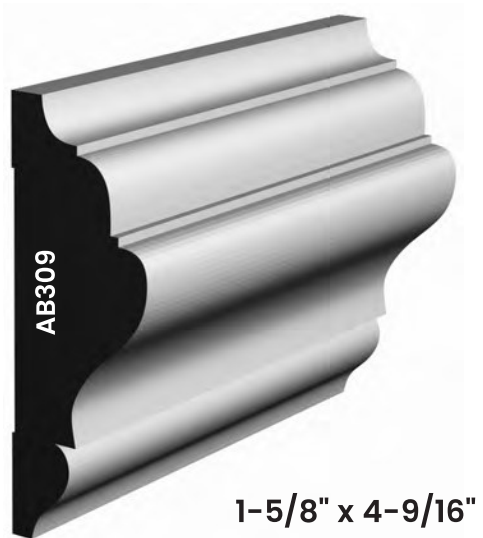
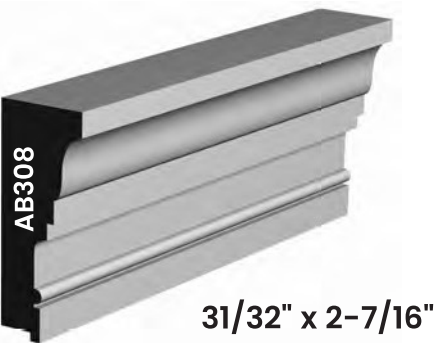
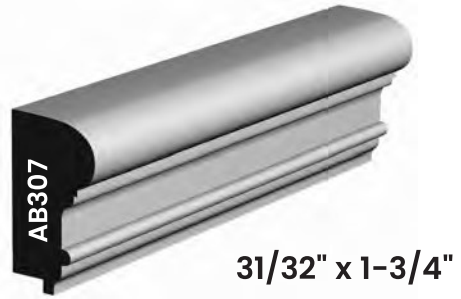
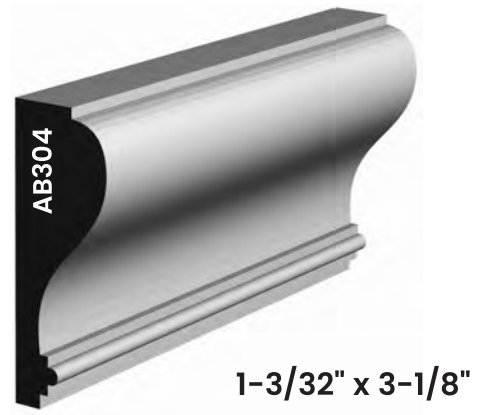
AB213 1-3/32" x 7-1/2"
AB001 3/4" x 1-7/8"



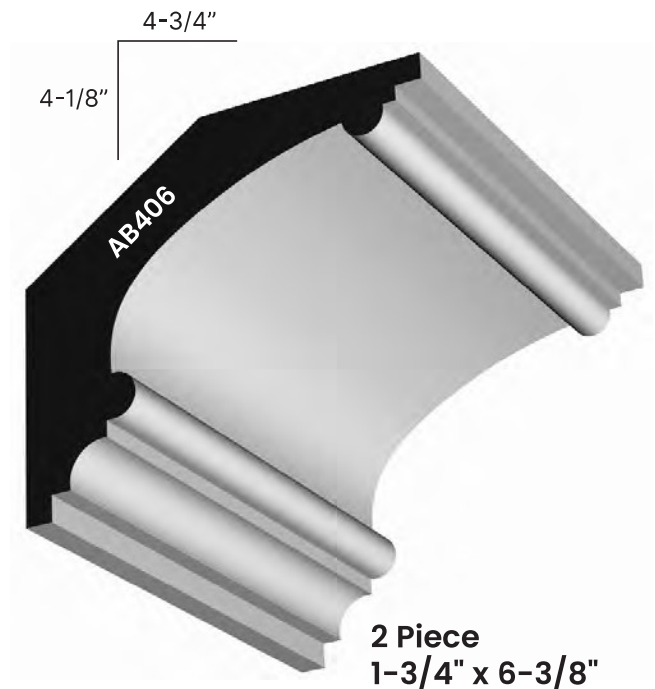
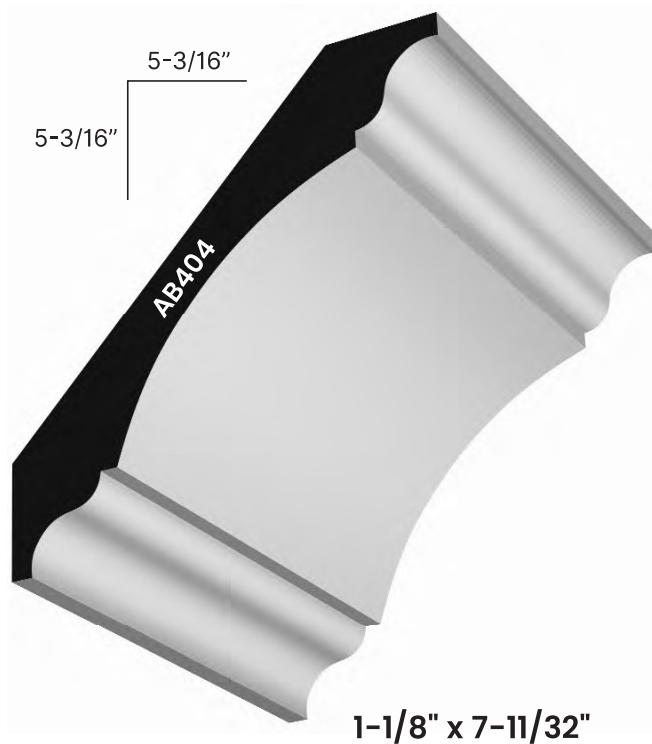
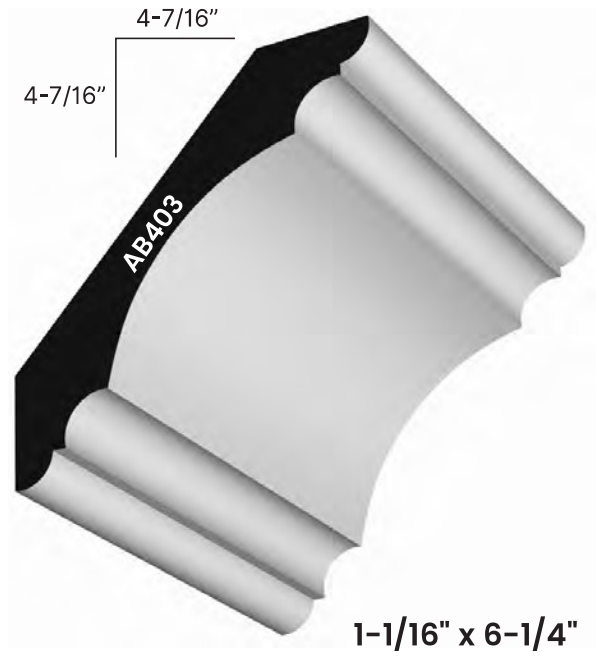
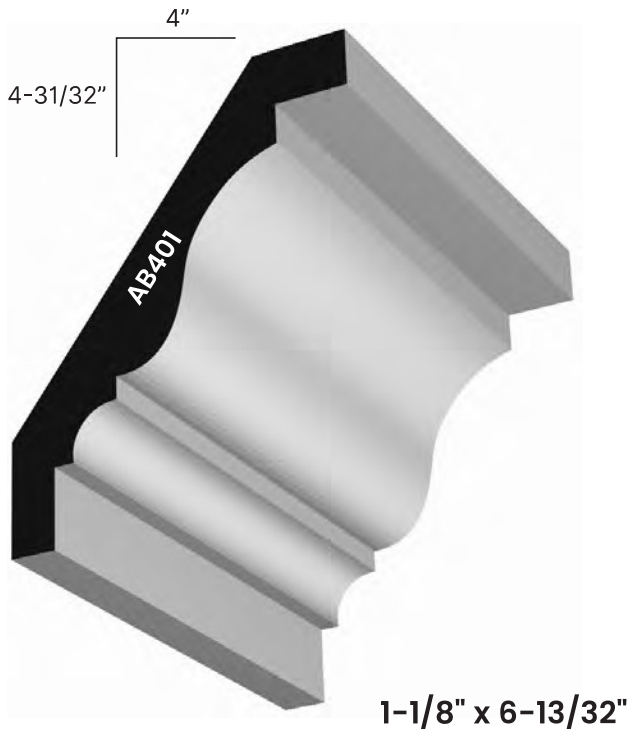
AB214 3/4" x 6"
AB028 1/2" x 1"

*Special Order Items are Available in ANY Species.
All items on this page are special order; lead time 3-1/2 weeks; priming and finishing available.

SPECIAL ORDER

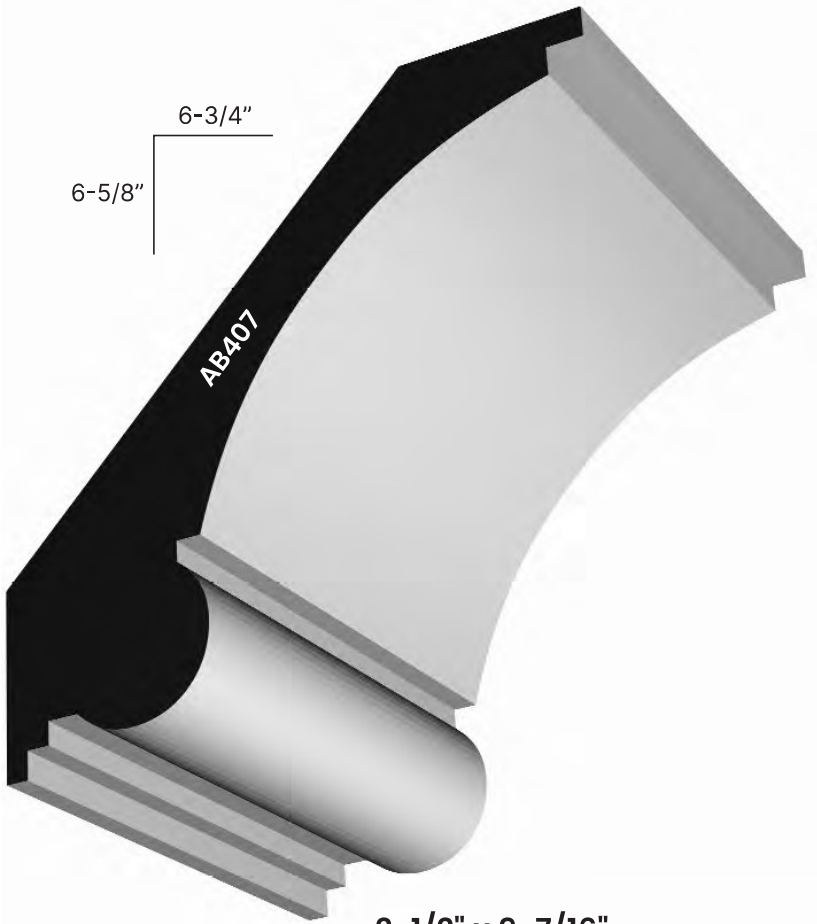


*Special Order Items are Available in ANY Species.
All items on this page are special order; lead time 3-1/2 weeks; priming and finishing available.

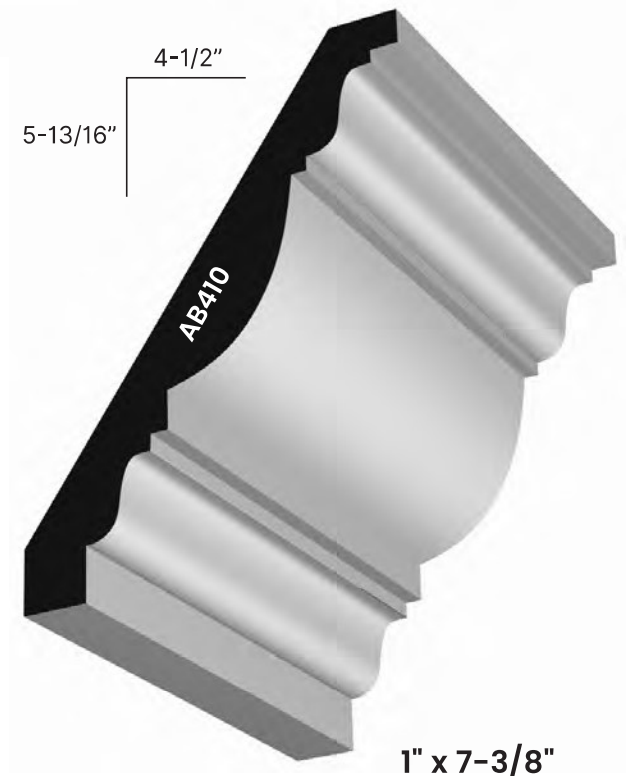


*Special Order Items are Available in ANY Species.
All items on this page are special order; lead time 3-1/2 weeks; priming and finishing available.

SPECIAL ORDER

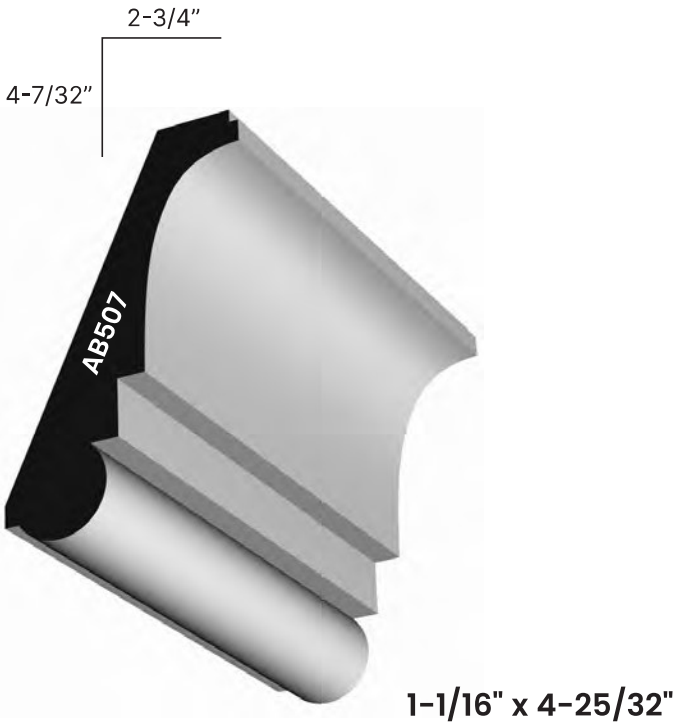
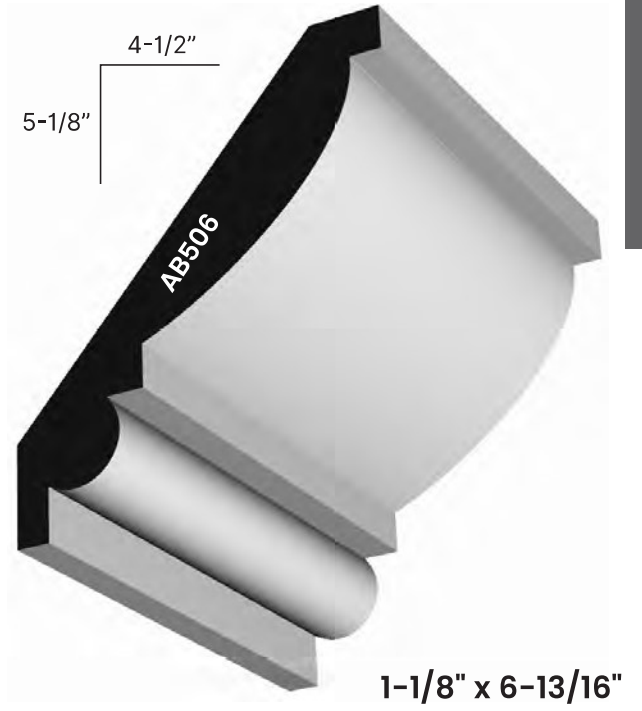
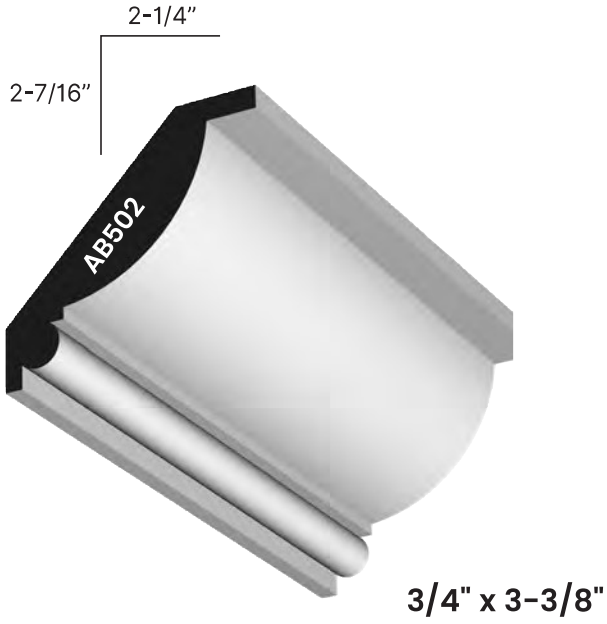


2-1/2" x 9-7/16"
(2 Piece)



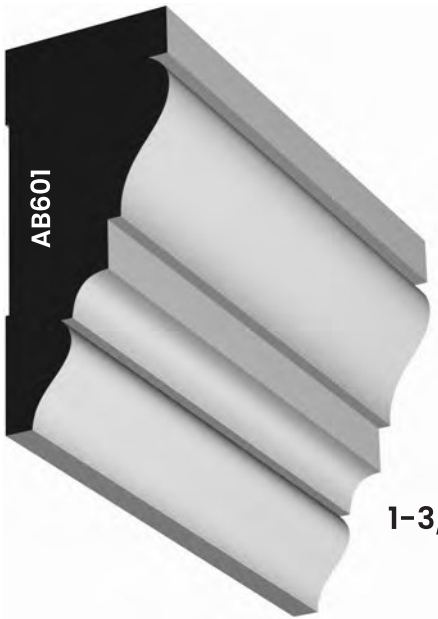
1" x 7-3/8"

*Special Order Items are Available in ANY Species.
All items on this page are special order; lead time 3-1/2 weeks; priming and finishing available.

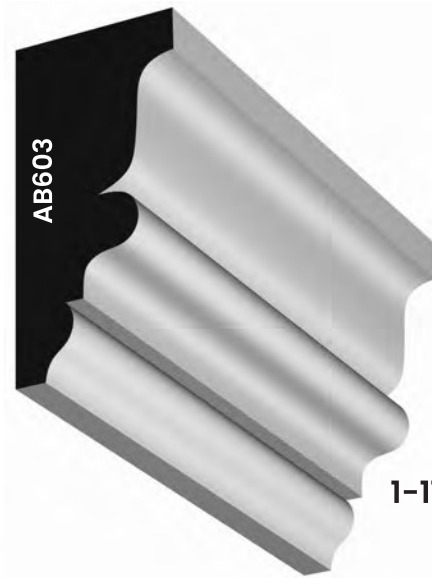


*Special Order Items are Available in ANY Species.
All items on this page are special order; lead time 3-1/2 weeks; priming and finishing available.

SPECIAL ORDER



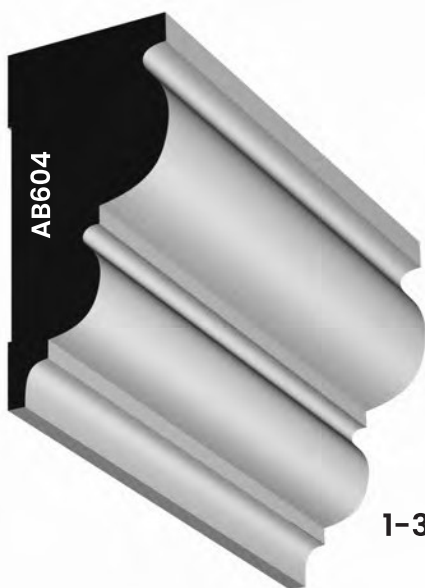
1-3/4" x 4"



1-11/16" x 3-1/2"



1-19/32" x 4-1/4"



1-3/4" x 3-3/4"



1-3/8" x 3-3/8"

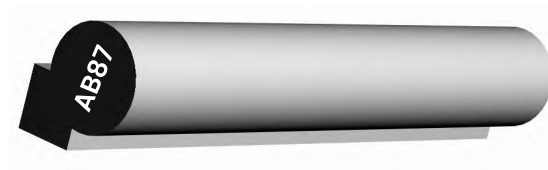
*Special Order Items are Available in ANY Species.
All items on this page are special order; lead time 3-1/2 weeks; priming and finishing available.



Plinth
1-3/4" x 2-7/16"



Plinth
1-1/8" x 4-3/4"



Bead
1-1/8" x 1-1/8"



Backband
1-1/2" x 2"



Backband
1-1/2" x 1-3/4"

*Special Order Items are Available in ANY Species.
All items on this page are special order; lead time 3-1/2 weeks; priming and finishing available.

SPECIAL ORDER



Backband
1-1/16" x 2-1/4"



Backband
1-1/2" x 1-7/8"



Backband
1-1/16" x 1-9/16"

Rabbit Dimensions:
P = 3/4" / PFJ = 21/32"



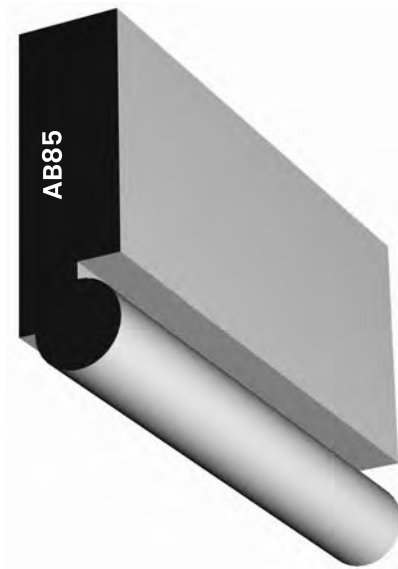
Crown Extender
3/4" x 3"



Sill
23/32" x 5-1/2"



Crown Extender
3/4" x 3"



Crown Extender
1-1/32" x 3-1/2"

*Special Order Items are Available in ANY Species.
All items on this page are special order; lead time 3-1/2 weeks; priming and finishing available.

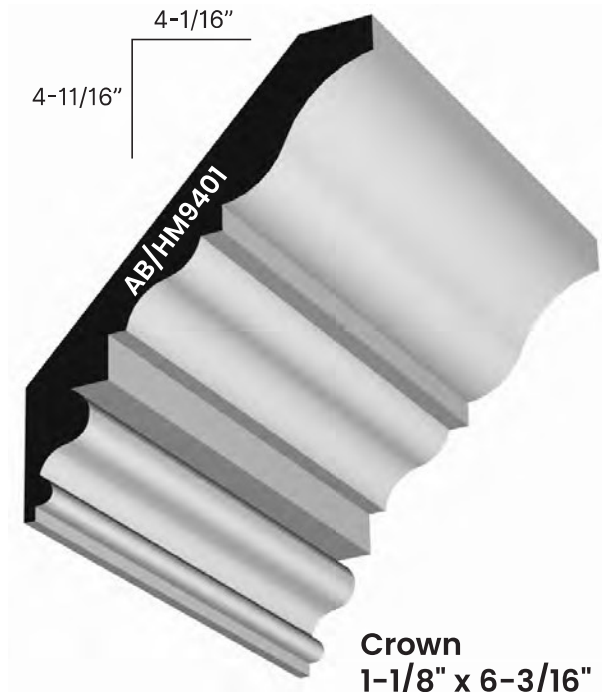


Casing
1-1/4" x 4-1/2"



Chair Rail
3/4" x 2-5/8"

HISTORIC



Crown
1-1/8" x 6-3/16"



Base
1-1/8" x 7-7/8"

*Special Order Items are Available in ANY Species.
All items on this page are special order; lead time 3-1/2 weeks; priming and finishing available.

HISTORIC



Casing
1-5/16" x 4-5/8"



Chair Rail
1-1/8" x 3-3/16"



Crown
1-1/8" x 6-15/32"



Base Cap 1-1/16" x 2-1/8"
Base 1-1/16" x 6" (+/-)

*Special Order Items are Available in ANY Species.
All items on this page are special order; lead time 3-1/2 weeks; priming and finishing available.

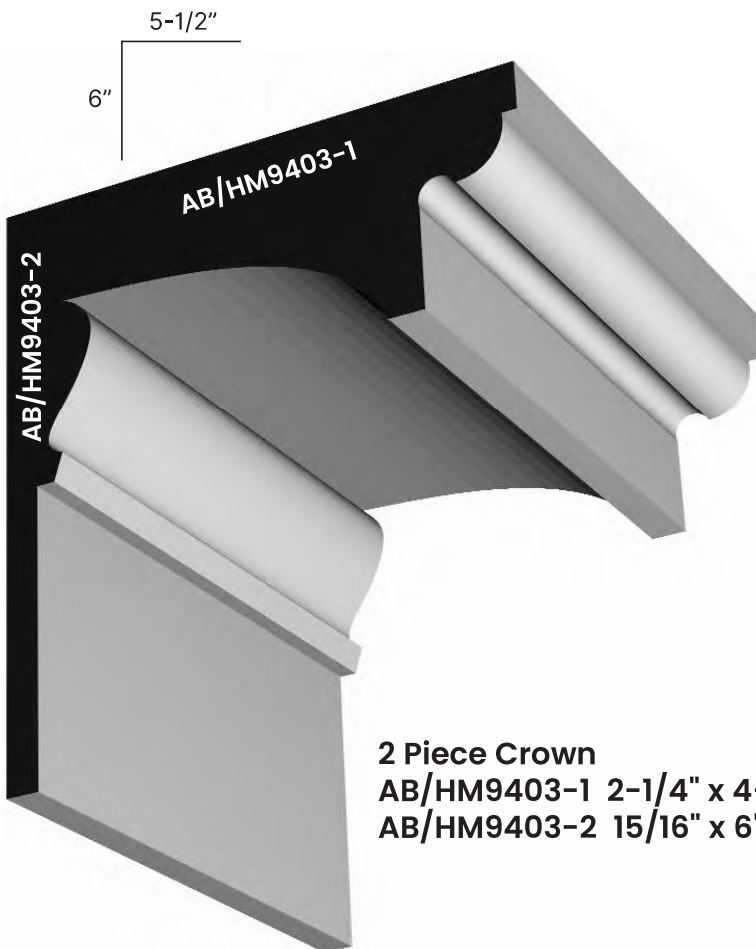
HISTORIC



Casing
1" x 4-15/16"



Base 5/8" x 8-1/2"
Shoe 1" x 2-3/4"



2 Piece Crown
AB/HM9403-1 2-1/4" x 4-27/32"
AB/HM9403-2 15/16" x 6"

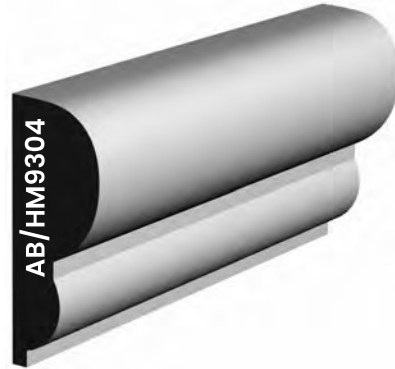


Chair Rail
1-1/16" x 3-5/8"

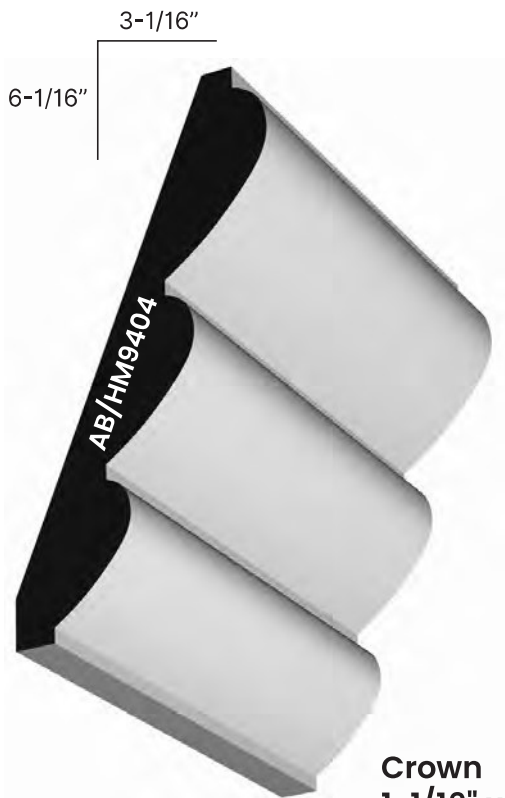
*Special Order Items are Available in ANY Species.
All items on this page are special order; lead time 3-1/2 weeks; priming and finishing available.



Casing
3/4" x 4-1/4"



Chair Rail
1-1/16" x 2-7/8"



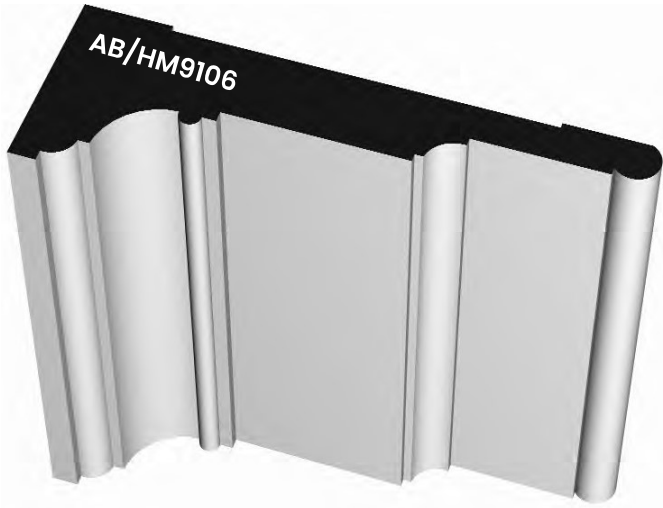
Crown
1-1/16" x 6-5/8"



Base 1-1/16" x 7-7/8"
Shoe 3/4" x 1-1/2"

*Special Order Items are Available in ANY Species.
All items on this page are special order; lead time 3-1/2 weeks; priming and finishing available.

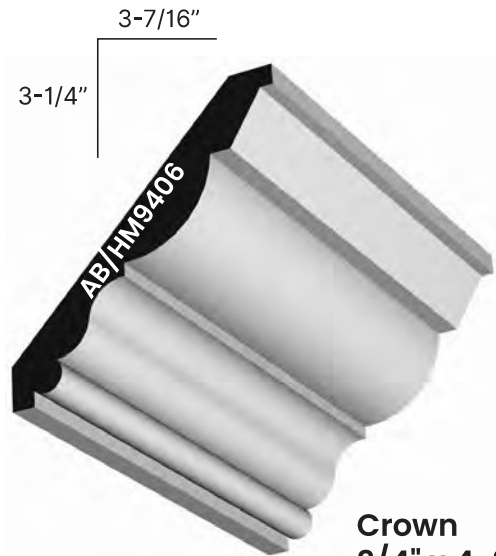
HISTORIC



Casing
2-1/8" x 6-3/8"



Chair Rail
1-1/8" x 3-1/4"



Crown
3/4" x 4-3/4"

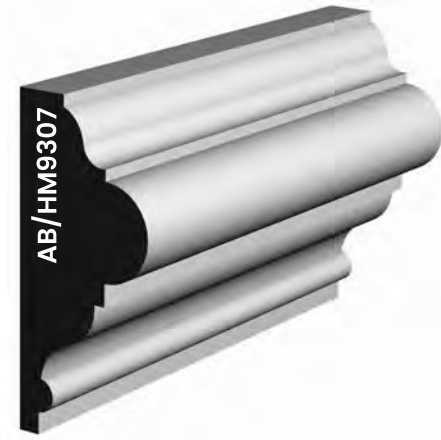


Base
15/16" x 7-3/8"

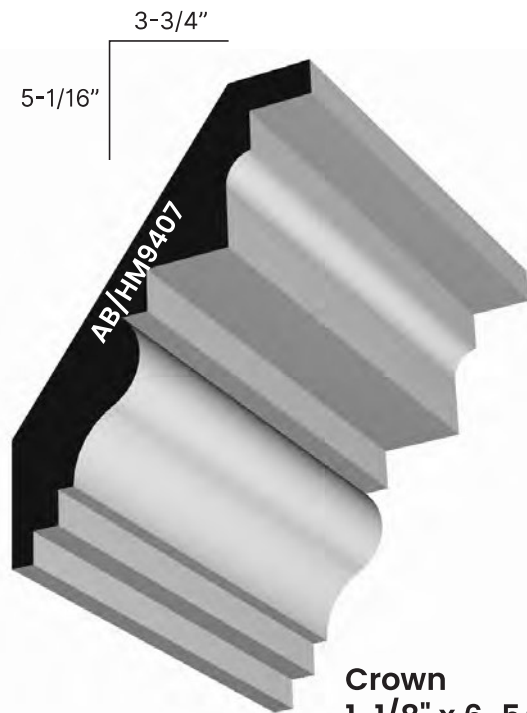
*Special Order Items are Available in ANY Species.
All items on this page are special order; lead time 3-1/2 weeks; priming and finishing available.



Casing
1-1/8" x 4-13/16"



Chair Rail
1-5/8" x 3-11/16"

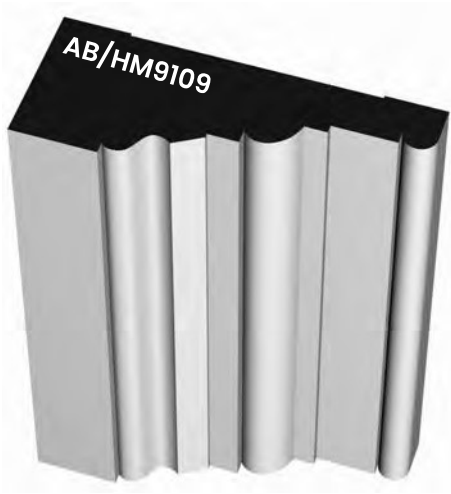


Crown
1-1/8" x 6-5/16"



Base Cap 3/4" x 3-3/8"
Baseboard 1-5/8" x 4-1/4"

*Special Order Items are Available in ANY Species.
All items on this page are special order; lead time 3-1/2 weeks; priming and finishing available.



Casing
1-21/32" x 4-3/16"



Chair Rail
1-1/8" x 4"



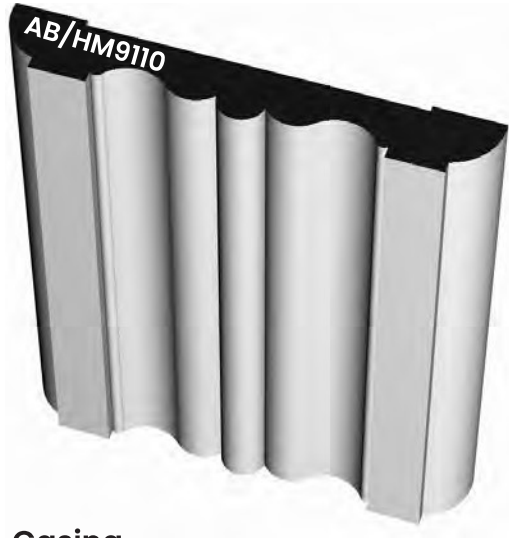
Crown
1-11/16" x 6-7/16"



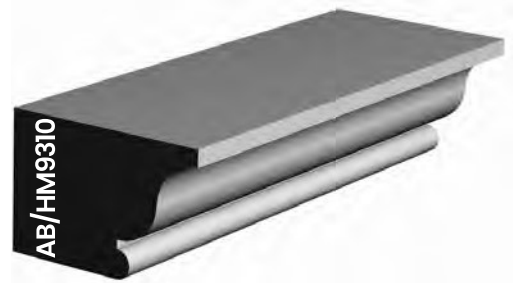
Base
15/16" x 3-13/16"

HISTORIC

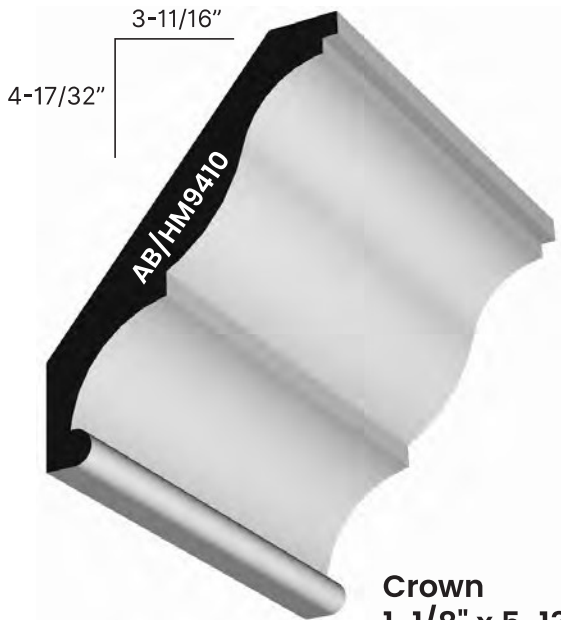
*Special Order Items are Available in ANY Species.
All items on this page are special order; lead time 3-1/2 weeks; priming and finishing available.



Casing
3/4" x 5"



Chair Rail
1-1/2" x 2-1/4"



Crown
1-1/8" x 5-13/16"



Base
3/4" x 8"

*Special Order Items are Available in ANY Species.
All items on this page are special order; lead time 3-1/2 weeks; priming and finishing available.



800.669.9871

Fax 203.888.0493 | MDOxford.com



**MILLWORK
DESIGN**

BY OXFORD

Our Oxford Promise

We are committed to high quality and great service, which means having the products you count on always being available. As such, we guarantee to always have in stock our top 10 products for our distributors, otherwise you will have a 10% discount off your next order of these items with us. These items are updated based on home interior design trends, so please visit regularly to confirm availability.

Please see website for full terms and conditions.

800.669.9871

Fax 203.888.0493 | MDOxford.com